

P17 Tempra PRO

A RANGE
YOU CAN
RELY ON



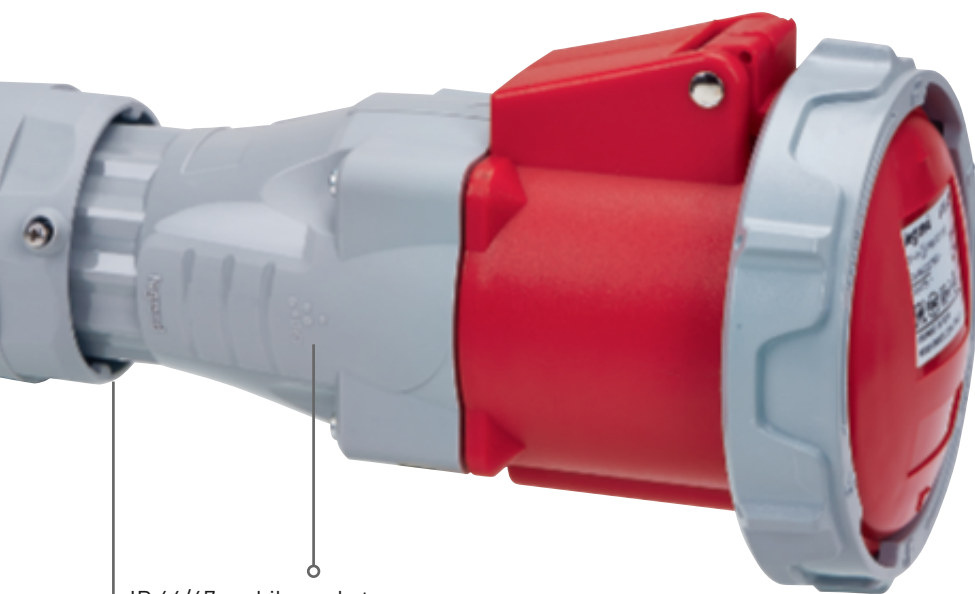
PLUGS & SOCKETS
FROM 16 A TO 125 A

GLOBAL SPECIALIST
IN ELECTRICAL AND DIGITAL BUILDING INFRASTRUCTURES

 **legrand**[®]

P17 TEMPRA PRO, suitable for all environments

The P17 Tempra Pro range incorporates numerous benefits for optimum commissioning of installations and increased user safety. More than ever before, the new range is highly recommended for all sites involving specific constraints related to watertightness, impact resistance or temperature conditions, both indoors and outdoors: shopping centres, hospitals, office buildings, food-processing facilities, industry, transportation, data centers, markets, etc.



IP 66/67 mobile socket
and IP 66/67/69 for 63 and 125 A
plugs and mobile sockets



FOR INSTALLATIONS INVOLVING SPECIFIC CONSTRAINTS RELATED TO WATERTIGHTNESS OR TEMPERATURE CONDITIONS, BOTH INDOORS AND OUTDOORS

CONTENTS

Continuity of service.....	2
Quick implementation	4
Ease of use and safety	6
Accessories	8
Ensuring good reaction to fire	10
Catalogue pages.....	12

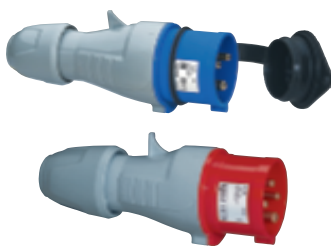
P17 TEMPRA PRO, always ensuring continuity of service

By updating its IP44, IP 66/67 and IP 66/67/69 for 63 and 125 A plugs and mobile sockets range of industrial sockets, Legrand is meeting the expectations of professional users. New benefits in terms of safety, implementation, design & ergonomics guarantee the longevity of this family of products, which has already proven itself over time.



IP44

SOCKETS FOR INTERNAL AND EXTERNAL USE, PROTECTED AGAINST PROJECTIONS OF WATER FROM ALL DIRECTIONS



Straight plugs



Mobile sockets



Panel mounting sockets

A TRANSFORMED RANGE
WHICH HARMONISES WITH
THE LEGRAND INDUSTRIAL
SOCKETS RANGE

- From 16 to 32 A
- 2P+E/3P+E/3P+N+E
- From 100 to 500 V~
- 50/60 Hz
- Screw connection

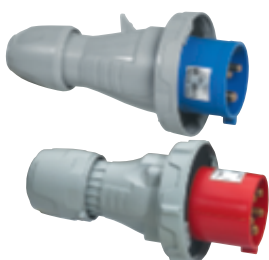


AIRPORTS, DATA CENTERS,
HOTELS, ETC. P17 TEMPRA
PRO IS IDEAL FOR ALL MAJOR
PROJECTS

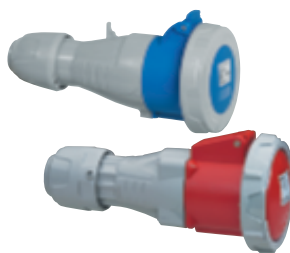
IP66/67/69* WEATHERPROOF SOCKETS THAT CAN WITHSTAND TEMPORARY IMMERSION (RAIN, FLOODS, ETC)



Surface mounting
sockets



Straight plugs



Mobile sockets



Panel mounting
sockets



Surface mounting
sockets

- From 16 to 125 A
- 2P+E/3P+E/3P+N+E
- From 100 to 500 V~
- 50/60 Hz
- Screw connection

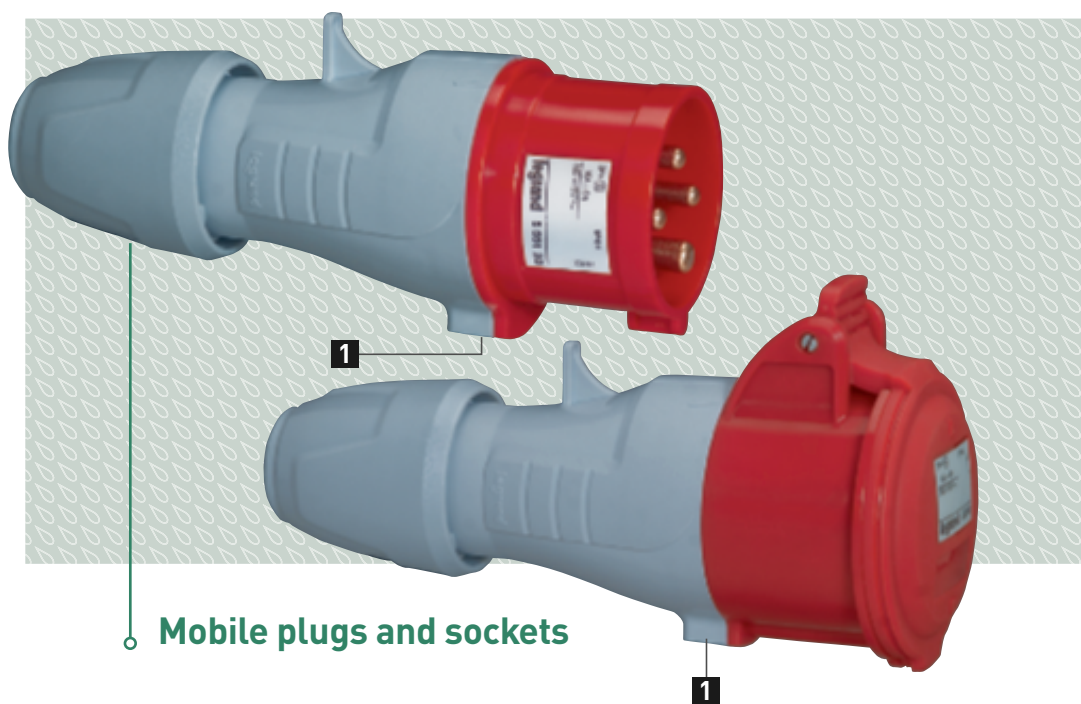
* On 63 and 125 A plugs and mobile sockets



Find out more about protection
indices (IP) **p.33**

P17 TEMPRA PRO, ensuring quick installation

As competitiveness is key to success when working on a site, the P17 Tempra Pro range offers an array of essential and intuitive benefits aimed at simplifying every movement, freeing up wiring space and ensuring quick, accurate cable connection under optimum conditions.



1 Mobile plugs and sockets

MOBILE PRODUCTS ARE SUPPLIED ASSEMBLED AND UNLOCKED

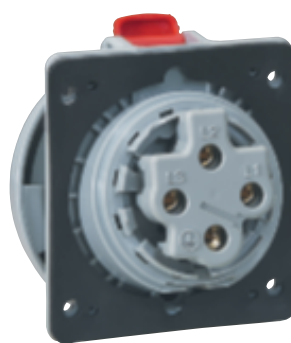


1 QUICK OPENING/CLOSING SYSTEM'

Unlocked by pressing with a screwdriver. Marking indicates the location for the locking clip.



Opened by turning the 2 parts in opposite directions.



2 ENHANCED PROTECTION'

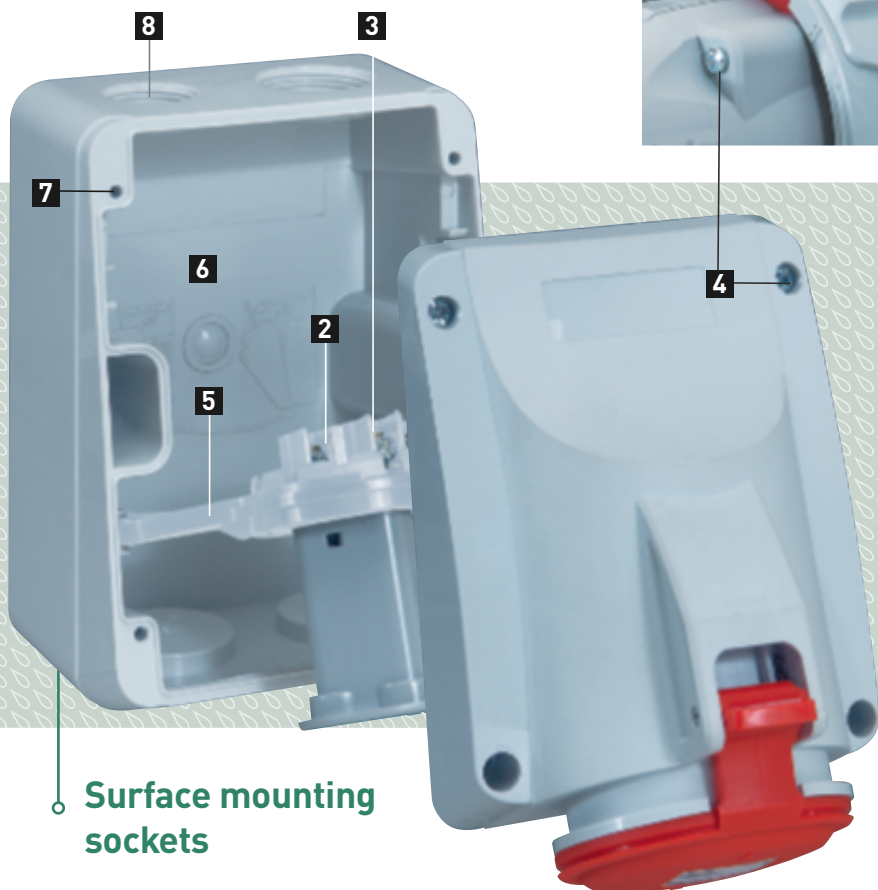
Removable terminal cover at the back of the panel mounting sockets.



CABLE STRIPPING

Marking allows the user to see quickly the length of cable to be stripped and to identify connection terminals. Option of using cables with ferrules.

1: 16 and 32 A products only

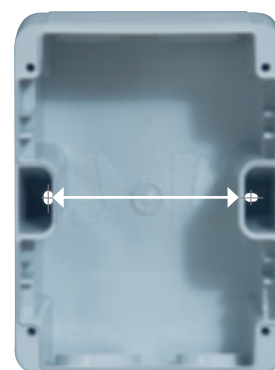


Surface mounting sockets



8 CABLE ENTRIES

4 threaded and sealed cable entries at the top and the bottom and marking at the back of the box for ISO cable glands or conduits.



7 EASIER MAINTENANCE

Fixing centres are identical to the old range (70 mm) for the 16 A sockets and marked at the back of the box for 32 A sockets.



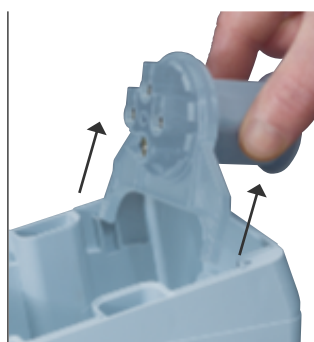
3 JUST ONE SCREW PER TERMINAL

A single captive PZ 2 screw per connection terminal. Same type of screw for both ratings, 16 and 32 A.



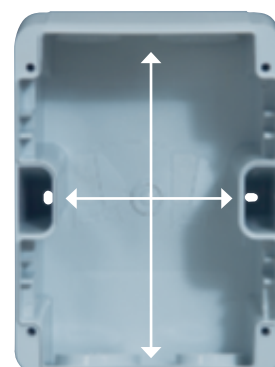
4 EASY COVER FIXING

Stainless steel captive screws with mixed head (for cross or flat screwdriver) for a good seal, anti-corrosion resistance and time saving during installation.



5 EASY REMOVAL¹

The active parts of the product can be removed from the base for easier wiring and changing the socket angle.



6 EASY WIRING

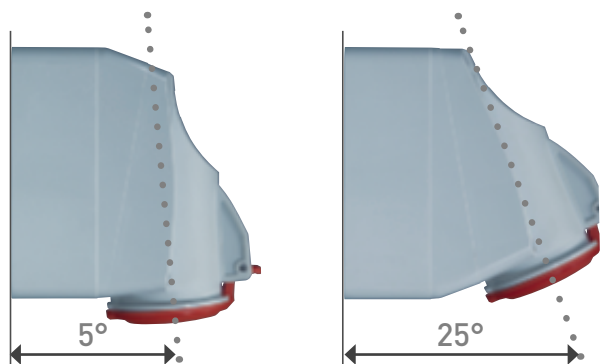
Optimum wiring area for easier connections.

P17 TEMPRA PRO, ensuring ease of use and safety

The new P17 Tempra Pro range has been subject to extensive research in terms of design and safety in order to make life safer and easier for the user. Good product gripping, compact dimensions for use in tight spaces, easier handling, etc. Compliance with standards, anti-corrosion treated materials and components, etc. A comprehensive set of solutions that comply with the standards.

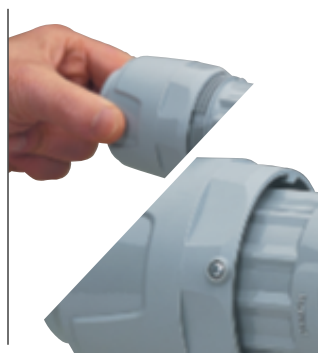


AN INNOVATIVE DESIGN THAT COMPLIES WITH STANDARDS IEC 60309-1 AND 2 AND RESPECTS THE ENVIRONMENT



1 2 MOUNTING POSITIONS'

To solve the problem of limited space, the surface mounting sockets offer 2 different mounting positions (5° or 25°) which allow users to adapt to the space available without changing the box.



2 CABLE GRIP

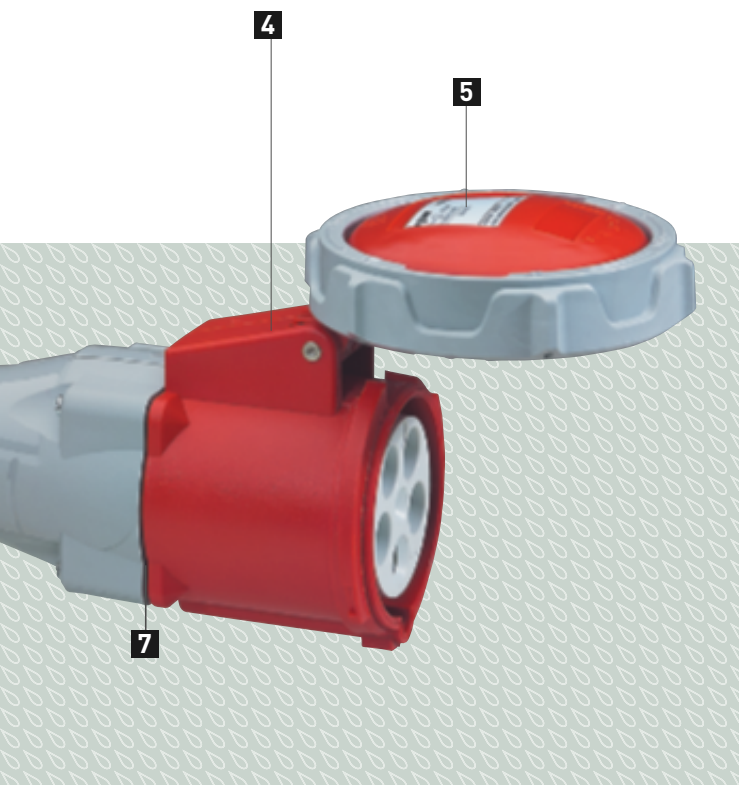
Captive cable grip with anti-vibration system holds the cable in place permanently. The 63 and 125 A products are also equipped with a locking screw.



3 EASE OF HANDLING

Gripping areas on the body of mobile products and the cable grip.

1: 16 and 32 A products only



SAFETY & THE ENVIRONMENT

SAFETY

Connection terminals compliant with standards IEC 60 309 1 & 2

Production sites certified according to ISO 14001 and ISO 9001

Very high resistance to chemical products. Plugs and sockets made of polyamide 6

Anti-corrosion treated screws, stainless steel springs for the socket covers

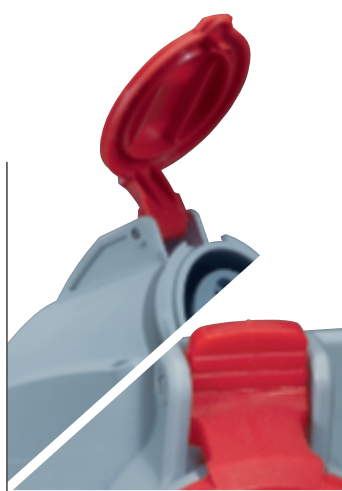
Resistant to temperatures of -25°C to +40°C

ENVIRONMENT

Halogen-free recyclable materials (silicone, PVC) for IP 44 products

Grouped packaging in boxes

PEP products (Eco Passport)



4 OPENING LEVER

For easier connection / disconnection. Cover held open on panel sockets and surface mounting sockets.



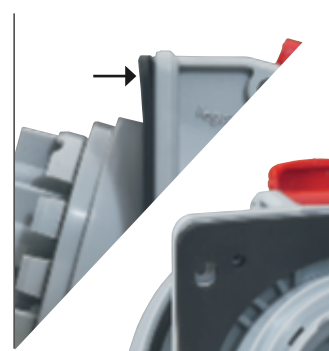
5 POSITION MARKING

Information engraved on the ring cover of IP66/67/69 products means the user can check quickly whether it is in the open or closed position. Marking on cover and flap for easy identification.



6 RIVETED METAL SHAFT

For 63 and 125 A products the riveted metal shaft ensures more strength. The notched locking ring facilitates locking/unlocking operations.



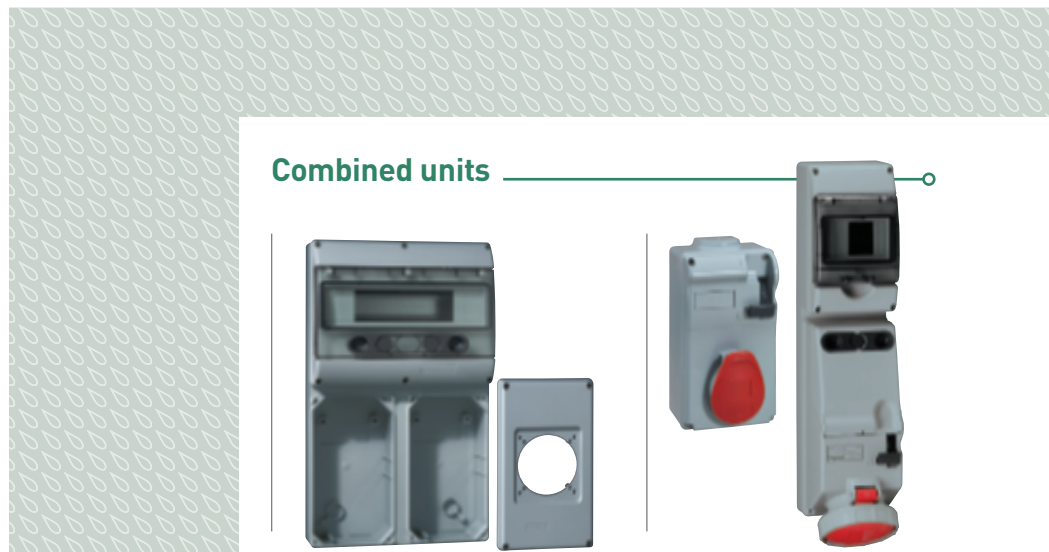
7 WEATHERPROOF SEALING

For panel mounting sockets.

P17 TEMPRA PRO,

ensuring customers get exactly what they need

The P17 Tempra Pro range is fully compatible with additional products and accessories from the Legrand industrial socket range and therefore meets the needs of all site configurations. Customised configurations are also available for solutions that are even more suited to your wide-ranging needs.



Combined units



UNITS FOR CUSTOMER ASSEMBLY

Only 16 catalogue numbers:
8 for the bases and 8 for the faceplates
(see page 24)



SINGLE-SOCKET UNITS

With or without DIN rail:
16/32 A IP 44 and 63 A IP 66
(see page 26)

Domestic pin configuration panel mounting sockets



GERMAN AND FRENCH-BELGIAN STANDARD

75 x 75 mm
(see page 15)



GERMAN AND FRENCH-BELGIAN STANDARD

with small flange
50 x 50 mm
(see page 15)

A COMPREHENSIVE
RANGE OF PRODUCTS
MATCHING THE NEW
P17 TEMPRA PRO
RANGE PERFECTLY

Worksites combined units



FLOOR DISTRIBUTORS
Fitted with 5, 6 or 7 sockets
or in modular version
(see page 29)



ENERGY DISTRIBUTION UNITS
Fitted with domestic and
IEC pin configuration socket
from 16 to 63 A (see page 29)



INDIVIDUAL UNITS
Mobile units with integrated
handle (see page 30)

Adaptors



IP 55
For integrating Mosaic
or Arteor mechanisms
(see page 15)



IEC/DOMESTIC
For connecting a 2P+E
domestic-use plug to a
2P+E IEC (industrial) socket
(see page 15)



**FOR IP 44 OR IP 66/67
SOCKETS**
For 1 x 16 or 32 A
or domestic socket
(see page 15)



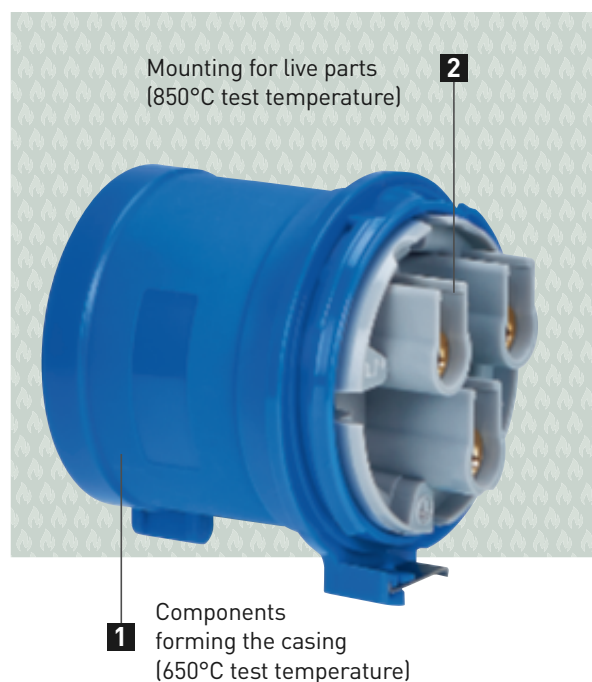
**FOR IP 44 OR IP 66/67
SOCKETS**
For 2 x 16 A
or domestic sockets
(see page 15)

IP55 flush-mounting boxes

P17 TEMPRA PRO, ensuring good reaction to fire

For more than 30 years, Legrand industrial sockets (HYPRA and Tempra Pro) have met the highest quality standards. Fire behaviour aspects are tested according to the procedures defined (section 27.4) in standards IEC 60 309-1&2 which apply to these products. These standards refer to a flammability test method called the incandescent wire

test which is used to check that exposure of electrical equipment insulation to intense heat (for example that due to a faulty contact) will not cause uncontrolled ignition, and that the material extinguishes itself once removed from the heat source.



PRODUCTS CONCERNED:

All plugs and sockets in the IP 44 and IP 66/67/69 P17 Tempra Pro range as well as combined units.



Combined unit



Straight plugs



Fixed sockets



Fixed sockets



Mobile sockets



WHO DOES THE TESTS?

The LEGRAND laboratory is equipped with the facilities for conducting this test. It complies with the various standards relating to self-extinguishing products.

As a reminder, these various standards are:

- IEC 60695-2-10: standard covering test equipment
- IEC 60695-2-11: standard covering products
- IEC 60695-2-12: standard covering material specimens

STANDARD IEC 60695-2-11

Applied in the context of the IEC 60309 standards, this is used to assess the ignitability, combustion and propagation hazards associated with a fault of electrical origin (poor contact) creating a very significant local temperature rise in the electrical contacts and "support" parts.

SELF-EXTINGUISHING CAPACITY TESTED



PURPOSE OF GLOW WIRE TESTING & REQUIRED MEANS

The glow-wire test in standard IEC 60695-2-11 checks how insulating materials behave in a fire and whether they have fire-retardant properties (spontaneous extinguishing and lack of burning drops or flaming particles). **During the test, the material may ignite**, which usually happens, but it must not play any part in spreading the fire. Simulation is performed using an electrically heated wire whose temperature can be set to different values. The test temperature is chosen on the basis of the risk caused by faulty behaviour, result of abnormal heat (incandescence) which could lead to ignition and propagation of the fire. During the test different parameters are measured or evaluated: time before ignition, height of

flames, falling flaming droplets, extinguishing after the incandescent wire is removed. The last two parameters check that the material does not spread the fire (tissue paper is placed on the test sample) and the self-extinguishing time must be less than 30 seconds. The test temperature is set to 850°C for components made of insulating materials which need to hold live parts and to 650°C for other components. All the components which make up the product, such as Hypra and P17 sockets and units, comply with this requirement.

P17 Tempra Pro - LV 16 and 32 A - IP 44








Selection chart

Conform to standards IEC 60309-1 and 60309-2 IP 44 as per IEC 60529 IK 09 as per IEC 62262 Material: polyamide 6 Self-extinguishing: 850°C (mounting for live parts)/650°C (plastic casing)			FUNCTIONS							
			FIXED SURFACE MOUNTING SOCKETS	FIXED PANEL MOUNTING SOCKETS WITH STANDARD FIXING CENTRES	FIXED PANEL MOUNTING SOCKETS WITH SMALL FLANGE	FIXED COMPACT INTERLOCKED SWITCHED SOCKETS	MOBILE SOCKETS	STRAIGHT PLUGS	ANGLED PLUGS	PANEL MOUNTING PLUGS OR SURFACE MOUNTING APPLIANCE INLETS
LV										
100 to 130 V _~ 50/60 Hz	16 A	2P+E	5 551 51	5 551 81			5 551 01	5 551 21		
		3P+E	5 551 52				5 551 02	5 551 22		
	32 A	2P+E	5 552 51	5 552 81			5 552 11	5 552 31		
200 to 250 V _~ 50/60 Hz	16 A	2P+E	5 551 54	5 551 84	0 573 54	0 573 00 ⁽¹⁾	5 551 04	5 551 24	0 564 53	0 575 84 ⁽²⁾
		3P+E	5 551 55	5 551 85			5 551 05	5 551 25		0 575 85 ⁽²⁾
		3P+N+E	5 551 56	5 551 86			5 551 06	5 551 26		0 575 86 ⁽²⁾
	32 A	2P+E	5 552 54	5 552 84	0 580 54		5 552 14	5 552 34	0 564 73	0 582 84 ⁽²⁾
		3P+E	5 552 55	5 552 85			5 552 15	5 552 35		
		3P+N+E	5 552 56	5 552 86			5 552 16	5 552 36		0 582 86 ⁽²⁾
380 to 415 V _~ 50/60 Hz	16 A	2P+E	5 551 57				5 551 07	5 551 27		
		3P+E	5 551 58	5 551 88	0 573 58		5 551 08	5 551 28	0 564 57	0 575 88 ⁽²⁾
		3P+N+E	5 551 59	5 551 89	0 573 59	0 573 02 ⁽¹⁾	5 551 09	5 551 29	0 564 58	0 575 89 ⁽²⁾
	32 A	2P+E	5 552 57				5 552 17	5 552 37		
		3P+E	5 552 58	5 552 88	0 580 58		5 552 18	5 552 38	0 564 77	0 582 88 ⁽²⁾
		3P+N+E	5 552 59	5 552 89	0 580 59		5 552 19	5 552 39	0 564 78	0 582 89 ⁽²⁾
440 to 460 V _~ 50/60 Hz	16 A	3P+E	5 551 60				5 551 10	5 551 30		
	32 A	3P+E	5 552 60	5 552 90			5 552 20	5 552 40		
480 to 500 V _~ 50/60 Hz	16 A	3P+E	5 551 62	5 551 92			5 551 12	5 551 32		
		3P+N+E						5 551 33		
	32 A	3P+E	5 552 62	5 552 92			5 552 22	5 552 42		
		3P+N+E	5 552 63				5 552 23	5 552 43		

1: Can only be fixed on faceplates Cat.No 0 577 23 (p. 24) - 2: Locking caps not supplied (p. 14)

P17 Tempra Pro - LV 16, 32, 63 and 125 A - IP 66/67

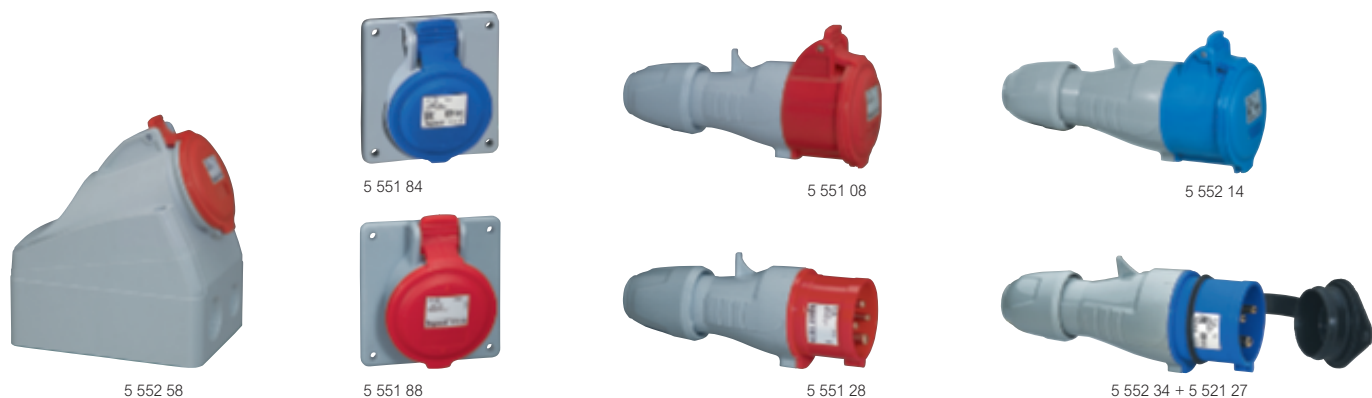
Selection chart

Conform to standards IEC 60309-1 and 60309-2 IP 44 as per IEC 60529 IK 09 as per IEC 62262 Material: polyamide 6 Self-extinguishing: 850°C (mounting for live parts)/650°C (plastic casing)			FUNCTIONS						
			FIXED SURFACE MOUNTING SOCKETS	FIXED PANEL MOUNTING SOCKETS WITH STANDARD FIXING CENTRES	FIXED COMPACT INTERLOCKED SWITCHED SOCKETS	MOBILE SOCKETS	STRAIGHT PLUGS	ANGLED PLUGS	APPLIANCE INLETS
LV									
100 to 130 V _~ 50/60 Hz	16 A	2P+E	5 553 51	5 553 81		5 553 01	5 553 21		
	32 A	2P+E	5 554 51				5 554 31		
200 to 250 V _~ 50/60 Hz	16 A	2P+E	5 553 54	5 553 84		5 553 04	5 553 24	0 565 03	0 568 03
		3P+E	5 553 55	5 553 85		5 553 05	5 553 25		
		3P+N+E	5 553 56	5 553 86	0 573 20(1)(2)	5 553 06	5 553 26		
	32 A	2P+E	5 554 54	5 554 84		5 554 14	5 554 34	0 565 23	0 568 23
		3P+E	5 554 55	5 554 85		5 554 15	5 554 35		
		3P+N+E	5 554 56	5 554 86		5 554 16	5 554 36		
	63 A	2P+E	5 555 54	5 555 84		5 555 04	5 555 24		5 555 14
		3P+E	5 555 55	5 555 85		5 555 05	5 555 25		
		3P+N+E	5 555 56	5 555 86		5 555 06	5 555 26		
380 to 415 V _~ 50/60 Hz	16 A	3P+E	5 553 58	5 553 88		5 553 08	5 553 28		0 568 07
		3P+N+E	5 553 59	5 553 89		5 553 09	5 553 29		0 568 08
	32 A	3P+E	5 554 58	5 554 88		5 554 18	5 554 38		0 568 27
		3P+N+E	5 554 59	5 554 89	0 573 22 ⁽¹⁾⁽²⁾	5 554 19	5 554 39	0 565 28	0 568 28
	63 A	3P+E	5 555 58	5 555 88		5 555 08	5 555 28		5 555 18
		3P+N+E	5 555 59	5 555 89		5 555 09	5 555 29		5 555 19
	125 A	3P+E	5 556 58	5 556 88		5 556 08	5 556 28		5 556 18
		3P+N+E	5 556 59	5 556 89		5 556 09	5 556 29		5 556 19
	440 V _~ 50/60 Hz for refrigerated containers	32 A	3P+E		5 554 91		5 554 21	5 554 41	
480 to 500 V _~ 50/60 Hz	16 A	3P+E	5 553 62				5 553 32		
	32 A	3P+E	5 554 62	5 554 92		5 554 22	5 554 42		
	63 A	3P+E	5 555 62	5 555 92			5 555 32		

1: IP 55 - 2: Can only be fixed on faceplates Cat.No 0 577 23 (p. 24)

P17 Tempra Pro - LV 16 and 32 A - IP 44

sockets, mobile plugs and sockets



Technical characteristics p. 18-19

IK 09 except for surface mounting socket IK 08
Material: plastic

Pack	Cat.Nos		Fixed surface mounting sockets
	IP 44		Possible angles 5° or 25° according to appliance direction of installation Connection screws facing one way only Supplied unlocked
10 5	16 A	32 A	200/250 V~
5	5 551 54	5 552 54	2P+E
5	5 551 55	5 552 55	3P+E
5	5 551 56	5 552 56	3P+N+E
			380/415 V~
5	5 551 57	5 552 57	2P+E
10	5 551 58	5 552 58	3P+E
10	5 551 59	5 552 59	3P+N+E
	IP 44		Fixed panel mounting sockets with standard fixing centres
			Can be fixed on solid or pre-drilled faceplates (p. 24), on flush-mounting boxes Cat.Nos 0 577 21/22 (p. 15) and P17 worksites combined units (p. 29-30)
10	16 A	32 A	200/250 V~
5	5 551 84	5 552 84	2P+E
5	5 551 85	5 552 85	3P+E
5	5 551 86	5 552 86	3P+N+E
			380/415 V~
10	5 551 88	5 552 88	3P+E
10	5 551 89	5 552 89	3P+N+E
	IP 44		Fixed panel mounting sockets with small flange
			Can be fixed on solid faceplates Cat.Nos 0 577 15/16 only (p. 24)
5	16 A	32 A	200/250 V~
	0 573 54	0 580 54	2P+E
			380/415 V~
5	0 573 58	0 580 58	3P+E
5	0 573 59	0 580 59	3P+N+E
	IP 44		Mobile sockets
			Cable grip and toolless closing Connection screws facing one way only Supplied unlocked
10	16 A	32 A	200/250 V~
5	5 551 04	5 552 14	2P+E
5	5 551 05	5 552 15	3P+E
5	5 551 06	5 552 16	3P+N+E
			380/415 V~
5	5 551 07	5 552 17	2P+E
10	5 551 08	5 552 18	3P+E
10	5 551 09	5 552 19	3P+N+E

Pack	Cat.Nos		Straight plugs
	IP 44		Cable grip and toolless closing Connection screws facing one way only Supplied unlocked
10	16 A	32 A	200/250 V~
5	5 551 24	5 552 34	2P+E
5	5 551 25	5 552 35	3P+E
5	5 551 26	5 552 36	3P+N+E
			380/415 V~
5	5 551 27	5 552 37	2P+E
10	5 551 28	5 552 38	3P+E
10	5 551 29	5 552 39	3P+N+E
	IP 44		Angled plugs
5	16 A	32 A	200/250 V~
	0 564 53	0 564 73	2P+E
			380/415 V~
5	0 564 57	0 564 77	3P+E
5	0 564 58	0 564 78	3P+N+E
	IP 44		Phase inverter plugs
			Straight plugs for changing the direction of rotation of a 3-phase electric motor
5	16 A	32 A	380/415 V~
	0 574 40	0 581 40	3P+E
5	0 574 41	0 581 41	3P+N+E
	IP 44		Panel mounting plugs or surface mounting appliance inlets
			200/250 V~
5	16 A	32 A	0 575 84 0 582 84
5	0 575 85	0 582 85	2P+E
5	0 575 86	0 582 86	3P+E
			3P+N+E
			380/415 V~
5	0 575 88	0 582 88	3P+E
5	0 575 89	0 582 89	3P+N+E
	Rubber		Locking caps
			For plugs and appliance inlets:
10	0 521 25		2P+E - 16 A
5	0 521 26		3P+E - 16 A
5	0 521 27		3P+N+E - 16 A/2P+E and 3P+E - 32 A
5	0 521 99		3P+N+E - 32 A

P17 Tempra Pro - LV 16 A - IP 54

domestic pin configuration



0 576 72

0 576 69

0 539 48

0 552 06

0 552 45

0 521 05 + 0 772 11

0 577 22

0 552 21

To be equipped with an Arteor/Mosaic mechanism

Technical characteristics p. 19

Pack	Cat.Nos	Sockets and compact sockets
		Domestic pin configuration sockets IP 54 with closed flap - IP 44 when connected as per IEC 60529 and EN 60529 IK 09 as per IEC 62262 and EN 62262 Material: plastic
		2P+E sockets 250 VA Can be fixed on solid or pre-drilled faceplates, on combined units for customer assembly (p. 24), flush-mounting boxes Cat.Nos 0 577 21/22 and P17 worksites combined units (p. 29-30)
20	16 A 0 576 71	Blue Shuttered French standard
20	0 576 72	German standard
20	0 576 76	Shuttered German standard
		2P+E compact sockets 250 VA Can be fixed on solid faceplates Cat.Nos 0 577 15/16 only (p. 24)
20	16 A 0 576 67	Shuttered French standard; blue
20	0 576 73	Shuttered French standard; black
20	0 576 74	Shuttered French standard; white
20	0 576 75	Shuttered German standard; blue
20	0 576 69	Shuttered German standard; white
8	0 539 48	Panel mounting adaptor Suitable for 2-module Arteor or Mosaic mechanisms (except special surface mounting type)
10	0 521 05	Adaptor 16 A - 250 V~ For connecting a 250 V~ 16 A 2P+E domestic-use plug to a 200/250 V~ 16 A 2P+E IEC socket To be equipped with Mosaic mechanisms (all standards)
		Flush-mounting boxes for masonry IP 55. For installing sockets with standard fixing centres (IP 44 or IP 66/67) with IEC pin configuration and/or domestic pin configuration socket Cat.No 0 576 71 Flush-mounting boxes with faceplate For two 16 A or domestic sockets Cat.No 0 576 71 For one 16 or 32 A socket (32 A socket to be fixed horizontally) or domestic socket Cat.No 0 576 71
3	0 577 21	
3	0 577 22	

P17 Tempra Pro - ELV 16 and 32 A - IP 44

sockets, mobile plugs and sockets

Technical characteristics p. 20

Pack	Cat.Nos	Fixed surface mounting sockets
5	16 A 0 552 06	20/25 V~ 2P
	32 A 0 552 56	
		Fixed panel mounting sockets with standard fixing centres Can be fixed on solid or pre-drilled faceplates (p. 24) and on flush-mounting boxes Cat.Nos 0 577 21/22 (p. 15)
5	16 A 0 552 45	20/25 V~ 2P
	32 A 0 552 95	
5	16 A 0 552 21	Straight plugs 20/25 V~ 2P
	32 A 0 552 71	
5	16 A 0 552 31	Mobile sockets 20/25 V~ 2P
	32 A 0 552 81	
5	16 A 0 552 41	Appliance inlets 20/25 V~ 2P
	32 A 0 552 91	

P17 Tempra Pro - LV 16 and 32 A - IP 66/67

sockets, mobile plugs and sockets



Technical characteristics p. 21

IK 09
Material: plastic

Pack	Cat. No.		Fixed surface mounting sockets
	16 A	32 A	Possible angles 5° or 25° according to appliance direction of installation Locking cap to be ordered separately
5	5 553 54	5 554 54	200/250 V~
5	5 553 55	5 554 55	2P+E
5	5 553 56	5 554 56	3P+E
			3P+N+E
			380/415 V~
5	5 553 58	5 554 58	3P+E
5	5 553 59	5 554 59	3P+N+E

Pack	Cat. No.		Fixed panel mounting sockets with standard fixing centres
	16 A	32 A	Can be fixed on solid or pre-drilled faceplates (p. 24)
5	5 553 84	5 554 84	200/250 V~
5	5 553 85	5 554 85	2P+E
5	5 553 86	5 554 86	3P+E
			3P+N+E
			380/415 V~
5	5 553 88	5 554 88	3P+E
5	5 553 89	5 554 89	3P+N+E

Pack	Cat. No.		Mobile sockets
	16 A	32 A	Supplied unlocked
5	5 553 04	5 554 14	200/250 V~
5	5 553 05	5 554 15	2P+E
5	5 553 06	5 554 16	3P+E
			3P+N+E
			380/415 V~
5	5 553 08	5 554 18	3P+E
5	5 553 09	5 554 19	3P+N+E

Pack	Cat. No.		Straight plugs
	16 A	32 A	Supplied unlocked
5	5 553 24	5 554 34	200/250 V~
5	5 553 25	5 554 35	2P+E
5	5 553 26	5 554 36	3P+E
			3P+N+E
			380/415 V~
5	5 553 28	5 554 38	3P+E
5	5 553 29	5 554 39	3P+N+E

Pack	Cat.Nos		Panel mounting plugs and appliance inlets
	16 A	32 A	Locking cap to be ordered separately
5	0 568 03	0 568 23	200/250 V~
			2P+E
			380/415 V~
5	0 568 07	0 568 27	3P+E
5	0 568 08	0 568 28	3P+N+E

Pack	Cat. Nos	Combined unit, mobile plug and socket for refrigerated containers
1	6 571 06	32 A - 440 VA - 50/60 Hz - 3P+E - 3 hours Plastic body and flap - stainless steel screws Combined unit with interlocked switched socket - Double mechanical interlock - Cable glands not supplied
5	5 554 91	Panel mounting socket
5	5 554 21	Mobile socket with Ø12 to 21.5 mm cable grip
5	5 554 41	Straight plug with Ø12 to 21.5 mm cable grip

P17 Tempra Pro - LV 63 and 125 A - IP 66/67 and IP 66/67/69 - sockets, mobile plugs and sockets



5 555 59



5 555 89

Easy connection/
disconnection



5 555 29



5 555 09

Technical characteristics p. 22-23

By using the pilot pin, the plug can be connected and disconnected off-load IK 09

Material: plastic

Easy connection/disconnection

Fixed surface mounting sockets

Pack	Cat.Nos	200/250 V~	
2	63 A	2P+E	
	125 A		
	5 555 54		
2	5 555 55	3P+E	
2	5 555 56	3P+N+E	
2	1	5 555 58	3P+E
		5 556 58	3P+N+E
2	5 555 59	3P+N+E	

Fixed panel mounting sockets

Pack	Cat.Nos	200/250 V~	
2	63 A	2P+E	
	125 A		
	5 555 84 ⁽¹⁾		
2	5 555 85 ⁽¹⁾	3P+E	
2	5 555 86 ⁽¹⁾	3P+N+E	
2	1	5 555 88 ⁽¹⁾	3P+E
		5 556 88	3P+N+E
2	5 555 89 ⁽¹⁾	3P+N+E	

Straight plugs

IP 69

Pack	Cat.Nos	200/250 V~	
2	63 A	2P+E	
	125 A		
	5 555 24		
2	5 555 25	3P+E	
2	5 555 26	3P+N+E	
2	1	5 555 28	3P+E
		5 556 28	3P+N+E
2	5 555 29	3P+N+E	

Mobile sockets

IP 69

Pack	Cat.Nos	200/250 V~	
2	63 A	2P+E	
	125 A		
	5 555 04		
2	5 555 05	3P+E	
2	5 555 06	3P+N+E	
2	1	5 555 08	3P+E
		5 556 08	3P+N+E
2	5 555 09	3P+N+E	

Appliance inlets

Pack	Cat.Nos	200/250 V~	
2	63 A	2P+E	
	125 A		
2	5 555 14	2P+E	
2	1	5 555 18	3P+E
		5 556 18	3P+N+E
2	5 555 19	3P+N+E	

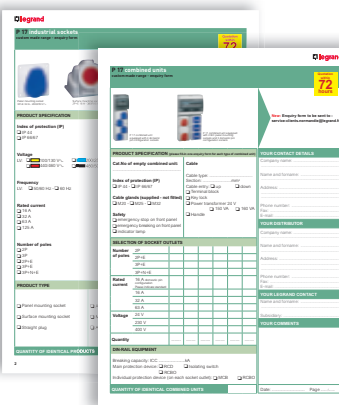
(1): Can be fixed on faceplates Cat.Nos 0 577 17/19 (p. 24)

P17 WORKSITES COMBINED UNITS

Simplified power supply



- For temporary power supplies on building sites or for events
- 2 types of worksites combined unit:
 - individual units (ready to use or to be equipped)
 - floor distributors (to be equipped)
- For P17 Tempra Pro panel mounting sockets, Osmoz control and signalling units, Mosaic or Arteur sockets (via the special adaptor)
- Fixes directly on the wall without opening the unit



CUSTOM-MADE OFFER

P17 Tempra Pro connectors and combined units: pre-designed configurations available on request

Ask for your "customised" form so you can define the product specifications

P17 Tempra Pro - LV 16 and 32 A - IP 44

sockets, mobile plugs and sockets

Characteristics of LV 16 and 32 A

P17 IP 44 - LV 16 and 32 A

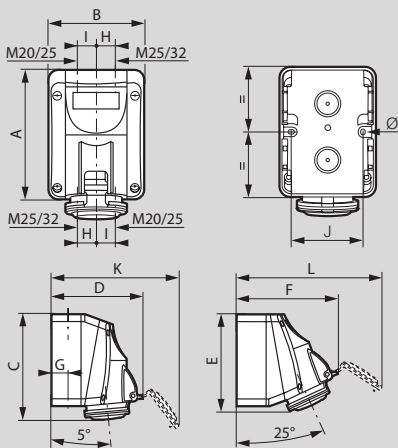
Max. connection per terminal:

- Surface and panel mounting sockets:
16 A: 1 x 4 mm² rigid/32 A: 1 x 10 mm² rigid
 - Phase inverters, mobile plugs and sockets:
16 A: 1 x 2.5 mm² flexible/32 A: 1 x 6 mm² flexible
 - Panel mounting plugs or surface mounting appliance inlet:
16 A: 1 x 2.5 mm² rigid/32 A: 1 x 6 mm² rigid
- Self-extinguishing: 850°C (live parts)
Material: plastic
- 25°C to + 40°C

Dimensions of LV 16 and 32 A

Fixed surface mounting sockets

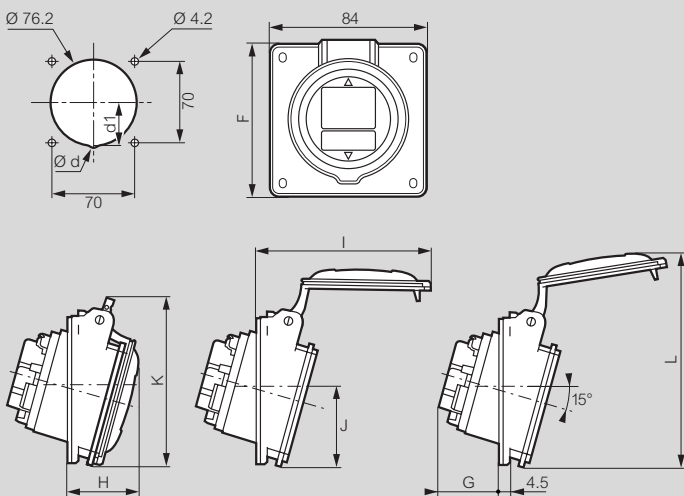
Cat.Nos 5 551 54/55/56/57/58/59 and 5 552 54/55/56/57/58/59



	A	B	C	D	E	F	G	H	I	J	K	L	Ø
LV 16 A													
2P+E	125	93	144	125	131	137	22	17	20	70	176	195	4.3
3P+E	125	93	144	133	131	145	22	17	20	70	190	210	4.3
3P+N+E	125	93	144	139	131	150	22	17	20	70	201	221	4.3
LV 32 A													
2P+E	150	113	171	155	156	170	28	22	26	90	220	245	4.3
3P+E	150	113	171	155	156	170	28	22	26	90	220	245	4.3
3P+N+E	150	113	171	161	156	175	28	22	26	90	230	256	4.3

Fixed panel mounting sockets with standard fixing centres

Cat.Nos 5 551 84/85/86/88/89 and 5 552 84/85/86/88/89

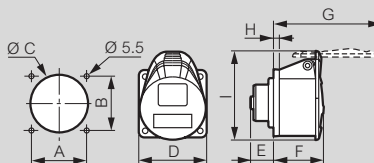


Fixed panel mounting sockets with standard fixing centres (continued)

	Ød	d1	F	G	H	I	J	K	L
LV 16 A									
2P+E	-	-	84	33.5	37.5	85	42	88.5	112.5
3P+E	-	-	84	35.5	38.5	93	42	91.5	118.5
3P+N+E	-	-	84	36.5	39.5	100	43.3	97	123.5
LV 32 A									
2P+E	-	-	94	41.5	45.5	110	47	102	131
3P+N+E	8	36	94	42.5	46.5	117	47	107.5	138

Fixed panel mounting sockets with small flange

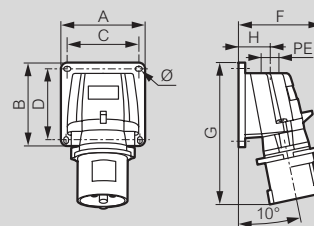
Cat.Nos 0 573 54/58/59



	Weight (kg)	Dimensions (mm)							
		A	B	ØC	D	E	F	G	H
LV 16 A									
2P+E	0.105	47	47	47	58	22.4	50	98.5	5.5
3P+E	0.127	52	52	55	65	22.4	50.5	104	5.5
3P+N+E	0.148	52	52	55	70	22.4	51	113	5.5

Panel mounting plugs or surface mounting appliance inlets

Cat.Nos 0 575 84/85/86/88/89 and 0 582 84/86/88/89



	Weight (kg)	Dimensions (mm)							
		A	B	C	D	F	G	H	PE
LV 16 A									
2P+E	0.168	84	84	72	72	77	126	34	M20
3P+E	0.232	84	84	72	72	84	134	34	M20
3P+N+E	0.256	84	84	72	72	91	141	34	M20
LV 32 A									
2P+E	0.325	110	110	98	98	96	168	39	M25
3P+N+E	0.364	110	110	98	98	102	168	39	M25

P17 Tempra Pro - LV 16 and 32 A - IP 44

mobile plugs and sockets

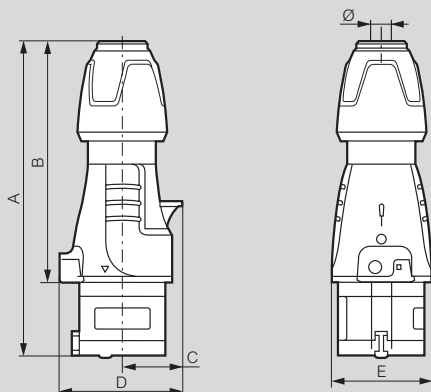
P17 Tempra Pro - LV 16 A - IP 54

domestic pin configuration

■ Dimensions

Straight plugs

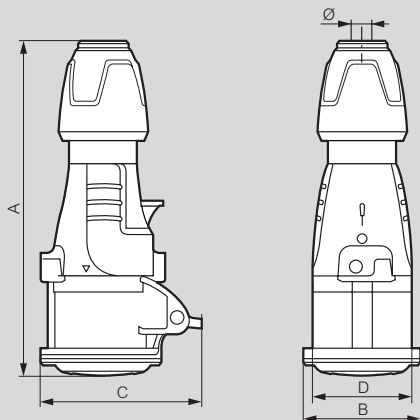
Cat.Nos 5 551 24/25/26/27/28/29 and 5 552 34/35/36/37/38/39



	A	B	C	D	E	Ø
LV 16 A						
2P+E	146 to 157	109.5 to 120.5	30	61	50	6.5 to 14
3P+E	146 to 157	109.5 to 120.5	34	67	55	7.10 to 15.5
3P+N+E	163 to 176	126.5 to 139.5	38	76	65	8 to 20
LV 32 A						
2P+E	172 to 185	127 to 140	40	78	65	8 to 20
3P+E	172 to 185	127 to 140	40	78	65	8 to 20
3P+N+E	179 to 189	133 to 143	45	86	71	11.9 to 22.2

Mobile sockets

Cat.Nos 5 551 04/05/06/07/08/09 and 5 552 14/15/16/17/18/19



	A	B	C	D	Ø
LV 16 A					
2P+E	156 to 167	59	81	50	6.5 to 14
3P+E	157 to 168	65	88	55	7.10 to 15.5
3P+N+E	175 to 188	72	94	65	8 to 20
LV 32 A					
2P+E	184 to 197	73	99	65	8 to 20
3P+E	184 to 197	73.5	99	65	8 to 20
3P+N+E	190 to 203	79.5	105	71	11.9 to 22.2

■ Dimensions

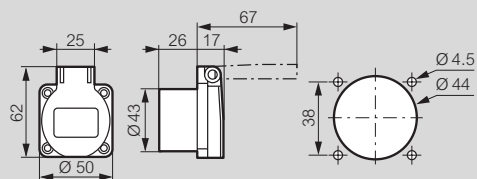
P17 IP 44 - LV 16 A with domestic pin configuration

Connection per terminal (rigid cable)
 1 x 1.5 mm² (min.) - 1 x 2.5 mm² (max.)
 IK 09 as per EN 62262 and IEC 62262 standard
 Material: plastic
 Max. operating temperature + 35°C
 IP 54 with closed flap
 IP 44 when connected

Shuttered domestic pin sockets

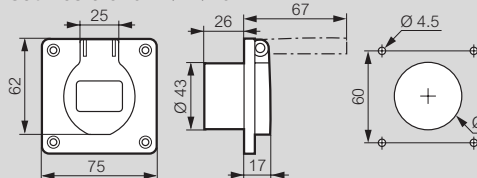
P17 IP 44 - LV 16 A with domestic pin configuration
 Connection per terminal (rigid cable)
 1 x 1.5 mm² (min.) - 1 x 2.5 mm² (max.)
 IK 09 as per EN 62262 and IEC 62262 standard
 Material: plastic
 Max. operating temperature + 35°C
 IP 54 with closed flap
 IP 44 when connected

Cat.Nos 0 576 67/69/73/74/75



Weight: 0.046 kg

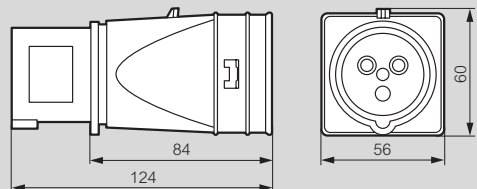
Cat.Nos 0 576 71/72/76



Weight: 0.052 kg

16 A adaptor - 230 VA

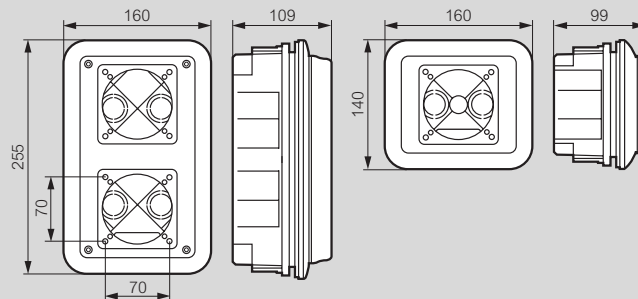
Cat.No 0 521 05



Flush-mounting boxes

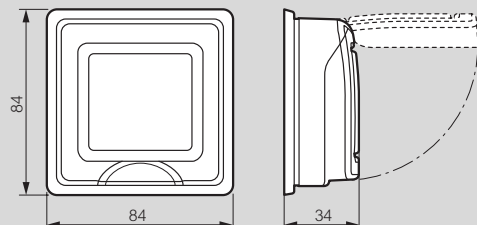
Cat.No 0 577 21

Cat.No 0 577 22



Panel adaptor

Cat.No 0 539 48



P17 Tempra Pro - ELV 16 and 32 A - IP 44

sockets, mobile plugs and sockets

■ Characteristics

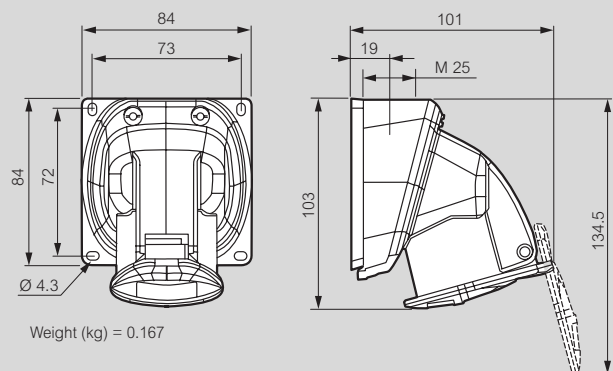
P17 IP 44 - ELV 16 and 32 A

Max. connection per terminal: 1 x 10 mm² (rigid or flexible).
IK 09. Material: plastic
- 25°C to + 40°C

■ Dimensions

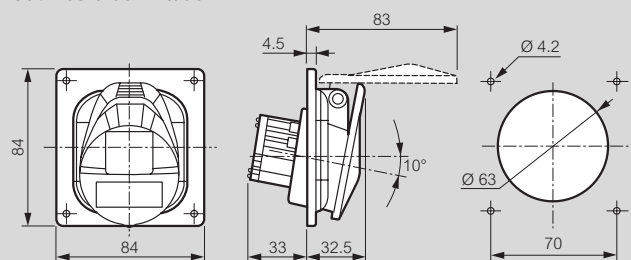
ELV fixed surface mounting sockets

Cat.Nos 0 552 06/56



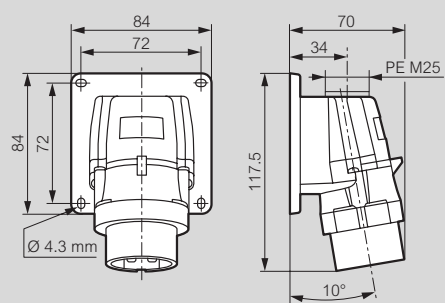
ELV panel mounting sockets with standard fixing centres

Cat.Nos 0 552 45/95



ELV appliance inlets

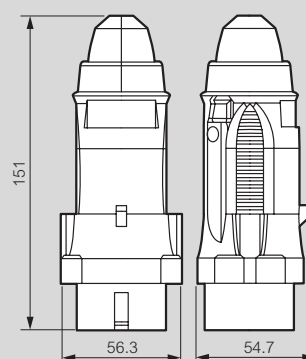
Cat.Nos 0 552 41/91



■ Dimensions (continued)

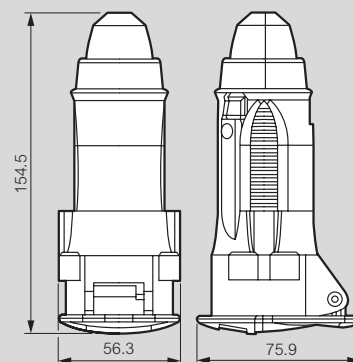
Straight plugs

Cat.Nos 0 555 21/71



Mobile sockets

Cat.Nos 0 552 31/81



P17 Tempra Pro - LV 16 and 32 A - IP 66/67

sockets, mobile plugs and sockets

Characteristics

Max. connection per terminal:

- Sockets with standard fixing centres or surface mounting (rigid): 16 A: 1 x 4 mm²/32 A: 1 x 10 mm²
- Mobile plugs and sockets (flexible): 16 A: 1 x 2.5 mm²/32 A: 1 x 6 mm²
- Panel mounting plugs and appliance inlets (rigid): 16 A: 1 x 2.5 mm²/32 A: 1 x 6 mm²

IK 09. IP 66/67. Material: plastic

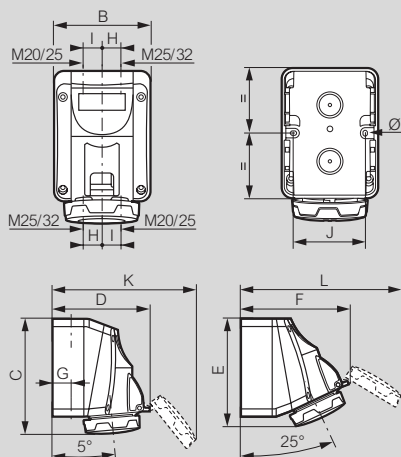
Self-extinguishing: 850°C (live parts). - 25°C to + 40°C

Dimensions

Fixed surface mounting sockets

16 and 32 A

Cat.Nos 0 553 54/55/56/58/59 and 5 554 54/55/56/58/59

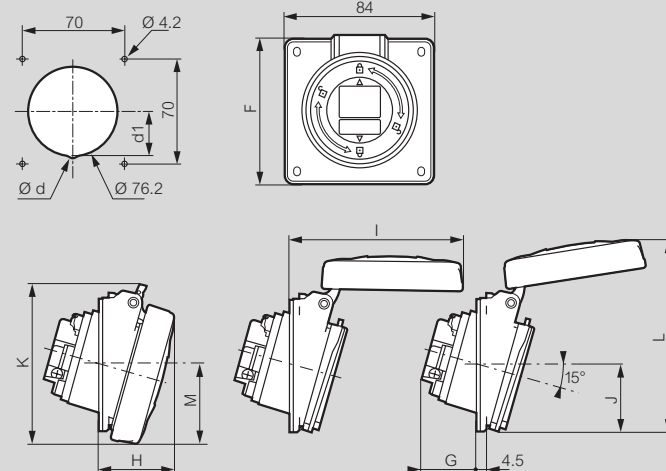


	A	B	C	D	E	F	G	H	I	J	K	L	Ø
LV 16 A													
2P+E	125	93	147	126	138	139	22	17	20	70	178	200	4.3
3P+E	125	93	147	134	138	147	22	17	20	70	194	215	4.3
3P+N+E	125	93	147	140	138	153	22	17	20	70	205	227	4.3
LV 32 A													
2P+E	150	113	174	156	163	172	28	22	26	90	224	250	4.3
3P+E	150	113	174	162	163	177	28	22	26	90	231	260	4.3

Panel mounting sockets with standard fixing centres

16 and 32 A

Cat.Nos 5 553 84/85/86/88/89 and 5 554 84/85/86/88/89

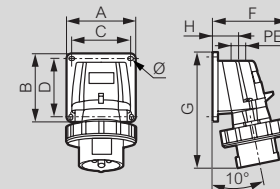


	Dimensions (mm)									
	Ød	d1	F	G	H	I	J	K	L	M
LV 16 A										
2P+E	-	-	84	33.5	42	94	42	88	114	42.5
3P+E	-	-	84	35.5	43	101	42	94.5	118	46
3P+N+E	-	-	84	36.5	44	108.5	42.5	101	123	50
LV 32 A										
2P+E/ 3P+E	-	-	94	41.5	50.5	118	47.5	105.5	129.5	54.5
3P+N+E	8	36	94	42.5	51.5	124.5	51	112	137	57.5

Panel mounting plugs and appliance inlets

16 and 32 A (panel mounting or surface mounting)

Cat.Nos 0 568 03/07/08/23/27/28



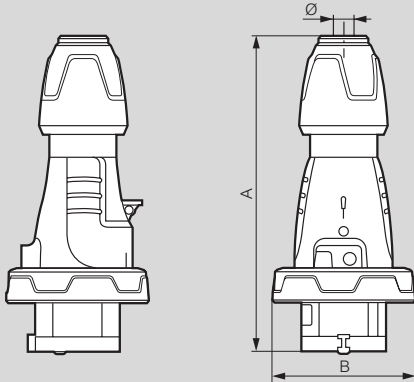
	Weight (kg)	Dimensions (mm)						
		A/B	C/D	F	G	H	PE	Ø
LV 16 A								
2P+E	0.188	84	72	87	126	34	M20	4.3
3P+E	0.257	84	72	95	134	34	M20	4.3
3P+N+E	0.297	84	72	100	141	34	M20	4.3
LV 32 A								
2P+E	0.370	110	98	107	168	39	M25	5.3
3P+N+E	0.364	110	98	113	168	39	M25	5.3

P17 Tempra Pro - LV 16 and 32 A - IP 66/67 mobile plugs and sockets

■ Dimensions

Straight plugs

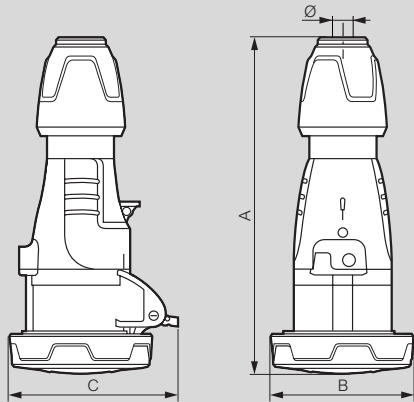
Cat.Nos 5 553 24/25/26/28/29 and 5 554 34/35/36/38/39



	A	B	Ø
LV 16 A			
2P+E	146 to 157	72.5	6.5 to 14
3P+E	146 to 157	80.5	7.10 to 15.5
3P+N+E	163 to 176	89	8 to 20
LV 32 A			
2P+E	172 to 185	93	8 to 20
3P+E	172 to 185	93	8 to 20
3P+N+E	179 to 189	100	11.9 to 22.2

Mobile sockets

Cat.Nos 5 553 04/05/06/08/09 and 5 554 14/15/16/18/19



	A	B	C	Ø
LV 16 A				
2P+E	159 to 170	72.5	86	6.5 to 14
3P+E	159 to 170	80.5	93	7.1 to 15.5
3P+N+E	179 to 190	89	100	8 to 20
LV 32 A				
2P+E	187 to 200	93	104	8 to 20
3P+E	187 to 200	93	104	8 to 20
3P+N+E	192 to 205	100	110.5	11.9 to 22.2

■ Characteristics

Max. connection per terminal:

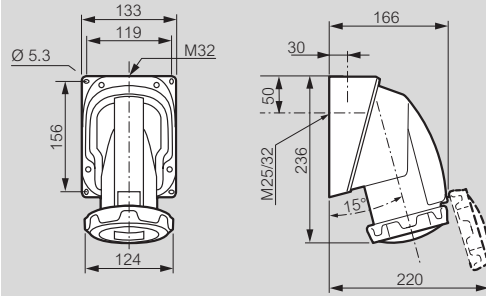
- Fixed sockets and surface mounting sockets (rigid):
63 A: 1 x 25 mm²/125 A: 1 x 70 mm²
- Mobile plugs and sockets (flexible): 63 A: 1 x 16 mm²/125 A: 1 x 50 mm²
- Panel mounting plugs and appliance inlets (rigid):
63 A: 1 x 16 mm²/125 A: 1 x 50 mm²

IK 09. IP 66/67, IP 69 mobile plugs and sockets. Material: plastic
Self-extinguishing: 850°C (live parts). - 25°C to + 40°C

■ Dimensions

Fixed surface mounting sockets

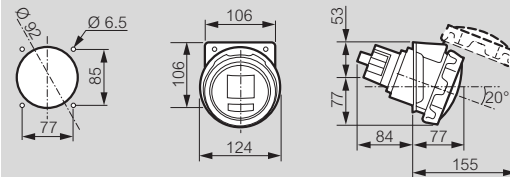
Cat.Nos 5 555 54/55/56/58/59



	Weight (kg)
3P+E	0.900
3P+N+E	0.950

Fixed panel mounting sockets

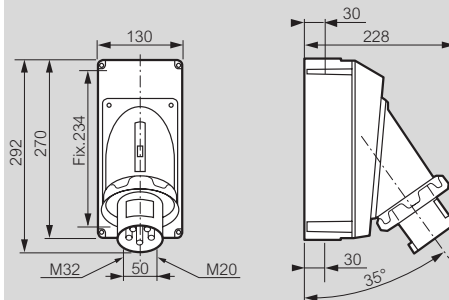
Cat.Nos 5 555 84/85/86/88/89



	Weight (kg)
3P+E	0.710
3P+N+E	0.770

Panel mounting plugs and appliance inlets

Cat.Nos 5 555 14/18/19



	Weight (kg)
3P+E	1.540
3P+N+E	1.610

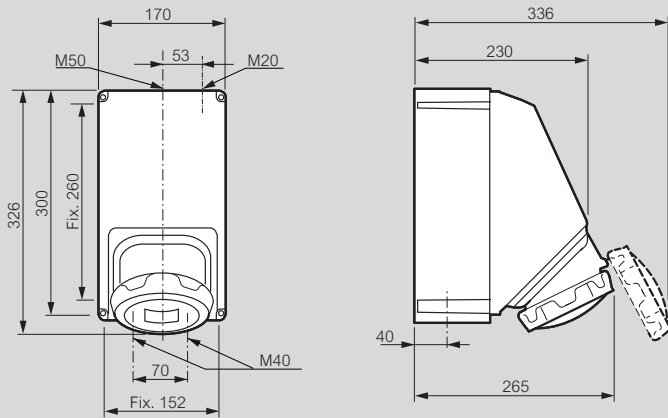
P17 Tempra Pro - LV 125 A - IP 66/67 and IP 66/67/69 - sockets, panel mounting plugs & appliance inlets

P17 Tempra Pro - LV 63 and 125 A - IP 66/67 and IP 66/67/69 - mobile plugs and sockets

■ Dimensions

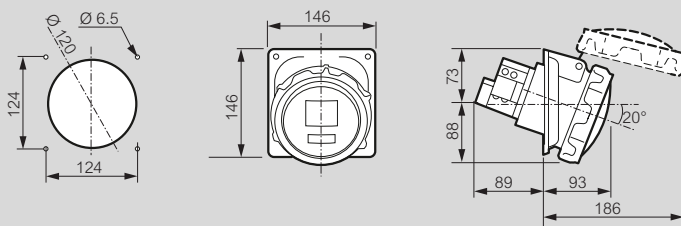
Fixed surface mounting sockets

Cat.Nos 5 556 58/59



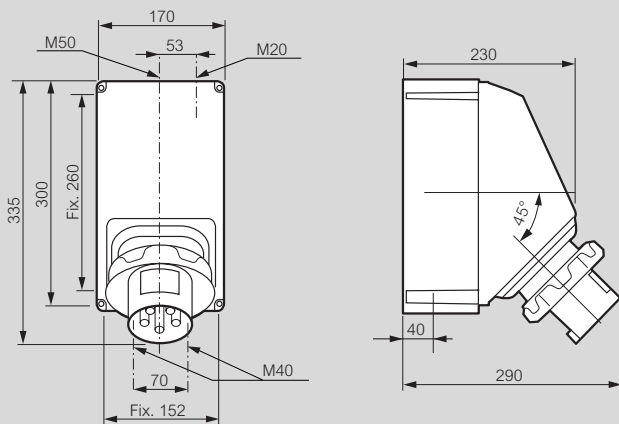
Fixed panel mounting sockets

Cat.Nos 5 556 88/89



Panel mounting plugs and appliance inlets

Cat.Nos 5 556 18/19

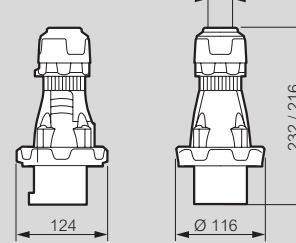


■ Dimensions of LV 63 A

Straight plugs

Cat.Nos 5 555 24/25/26/28/29

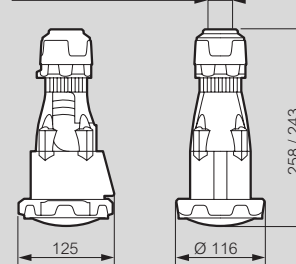
2P+T : Ø14,1 / 27,6
3P+T : Ø15,7 / 30,1
3P+N+T : Ø17,5 / 33



Mobile sockets

Cat.Nos 5 555 04/05/06/08/09

2P+T : Ø14,1 / 27,6
3P+T : Ø15,7 / 30,1
3P+N+T : Ø17,5 / 33

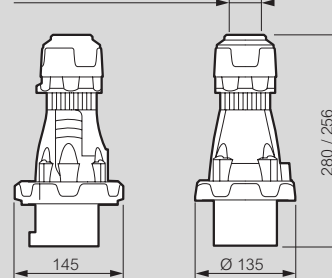


■ Dimensions of LV 125 A

Straight plugs

Cat.Nos 5 556 28/29

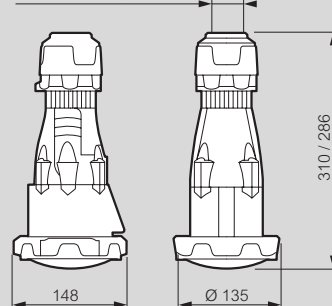
3P+T : Ø23,8 / 47,5
3P+N+T : Ø26,4 / 50



Mobile sockets

Cat.Nos 5 556 08/09

3P+T : Ø23,8 / 47,5
3P+N+T : Ø26,4 / 50



P17 Tempra Pro combined units for customer assembly

Combined units for customer assembly are compatible with standard IEC 61439-2-3: certification of the complete unit with its equipment must be done by the manufacturer

External dimensions H x W (mm)

Example configurations of a combined unit





UNITS HEIGHT 220 MM TO 441 MM

BASES FOR 220 x 125 MM FACEPLATES - max. IP 66								220 X 125 MM FACEPLATES							
Box	Base with up to 2 x 16 A sockets	Base with up to 4 x 16 A sockets	Base with up to 6 x 16 A sockets	Takes wall mounting lugs Cat. No. 0 019 69				1 x 16 A or 32 A socket	2 x 16 A sockets	1 x 63 A socket	Solid faceplate				
				+											
220 x 125 mm ⁽⁵⁾	371 x 125 mm ⁽⁵⁾ 5-module rail DIN	441 x 265 mm ⁽⁵⁾ 13-module rail DIN	441 x 405 mm ⁽⁵⁾ 20-module rail DIN												
Pack	Cat.No	Pack	Cat.No	Pack	Cat.No	Pack	Cat.No	Pack	Cat.No	Pack	Cat.No	Pack	Cat.No	Pack	Cat.No
1	0 577 10 ⁽⁷⁾	1	0 589 38 ⁽⁷⁾	1	0 577 05 ⁽⁸⁾	1	0 577 06 ⁽⁸⁾	5	0 577 12	5	0 577 13 ⁽²⁾	2	0 577 17	5	0 577 15






UNITS HEIGHT 280 MM TO 501 MM

BASES FOR 280 x 125 MM FACEPLATES - max. IP 66								280 X 125 MM FACEPLATES									
Box	Base with up to 3 x 16 A sockets	Base with up to 6 x 16 A sockets	Base with up to 9 x 16 A sockets	Takes wall mounting lugs Cat. No. 0 019 69				2 x 16 A or 32 A socket	2 compact locked 16 A sockets	1 x 16 A or 32 A socket and 1 x 63 A socket	3 x 16 A socket ⁽³⁾	Solid faceplate					
				+													
280 x 125 mm ⁽⁵⁾	421 x 125 mm ⁽⁵⁾ 5-module rail DIN	501 x 265 mm ⁽⁵⁾ 13-module rail DIN	501 x 405 mm ⁽⁵⁾ 20-module rail DIN														
Pack	Cat. No.	Pack	Cat. No.	Pack	Cat. No.	Pack	Cat. No.	Pack	Cat. No.	Pack	Cat. No.	Pack	Cat. No.	Pack	Cat. No.		
3	0 577 11 ⁽⁷⁾	1	0 577 20 ⁽⁷⁾	1	0 577 03 ⁽⁸⁾	1	0 577 04 ⁽⁸⁾	4	0 577 18 ⁽²⁾	1	0 577 23	2	0 577 19 ⁽²⁾	4	0 577 14 ⁽²⁾	4	0 577 16






(1) Can take a key-operated lock Cat.No 0 577 35 - (2) Supplied with a blanking plate
 (3) To be fixed horizontally except for 16 A domestic pin sockets which must be fixed vertically (IP 44 with plug inserted)
 (4) IP 54 with closed flap - IP 44 when connected - (5) External dimensions (H x W)
 (6) Can be pole-mounted using kit Cat.Nos 0 364 46/47/48/49, see data sheet in e-catalogue for compatibility - (7) See 1 + 7 - (8) Wiring required for pilot wire

16 A ELV sockets		63 A interlocked switched sockets	
20/25 V \sim - ELV IP 44 with safety transformer		380/415 V \sim - LV IP 66/67 (for bases 0 577 03/04)	
 0 589 26	150 VA with thermal cut-out on the primary (for boxes/bases ht. 220 to 441 mm)	 0 572 94	3P+E
 0 589 25	160 VA with 2 A circuit breaker on the primary and 6 A circuit breaker on the secondary (for boxes/bases ht. 280 to 501 mm)	 0 572 95	3P+N+E

PANEL MOUNTING SOCKETS WITH STANDARD FIXING CENTRES

ELV			IP 44		
20 to 25 V \sim	16 A	2P	0 552 45		
	32 A	2P	0 552 95		
Domestic pin configuration			IP 54 ⁽⁴⁾		
250 V NF C	16 A	2P+E	0 576 71		
LV			IP 44	IP 66-67	
200 to 250 V \sim	16 A	2P+E	5 551 84	5 553 84	
	32 A	2P+E	5 552 84	5 554 84	
380 to 415 V \sim	16 A	3P+E	5 551 88	5 553 88	
		3P+N+E	5 551 89	5 553 89	
	32 A	3P+E	5 552 88	5 554 88	
		3P+N+E	5 552 89	5 554 89	
	63 A ⁽⁹⁾	3P+E	-	5 555 88	
		3P+N+E	-	5 555 89	
Modular			IP 55		
Adaptor for Mosaic mechanisms			0 539 48		

PANEL MOUNTING SOCKETS WITH STANDARD FIXING CENTRES

ELV			IP 44		
20 to 25 V \sim	16 A	2P	0 552 45		
	32 A	2P	0 552 95		
Domestic pin configuration			IP 54 ⁽⁴⁾		
250 V NF C	16 A	2P+E	0 576 71		
LV			IP 44	IP 66-67	
200 to 250 V \sim	16 A	2P+E	5 551 84	5 553 84	
	32 A	2P+E	5 552 84	5 554 84	
380 to 415 V \sim	16 A	3P+E	5 551 88	5 553 88	
		3P+N+E	5 551 89	5 553 89	
	32 A	3P+E	5 552 88	5 554 88	
		3P+N+E	5 552 89	5 554 89	
	63 A ⁽⁹⁾	3P+E	-	0 572 94	
		3P+N+E	-	0 572 95	
Modular			IP 55		
Adaptor for Mosaic mechanisms			0 539 48		

P17 Tempra Pro ready-to-use combined units - LV 16 to 63 A

IP 44, IP 55 and IP 66

MULTISOCKET COMBINED UNITS ELV 16 A AND LV 16/32 A - IP 44



0 589 30



0 589 32



0 589 20



0 589 33



0 589 22

InA	InA	Cat. No.	Dimensions (H x W x D) mm	Protection
<p>Conform to:</p> <ul style="list-style-type: none"> • IEC 61439-2: Power switchgear and controlgear assemblies • IEC 61439-3: Distribution panels intended to be operated by ordinary persons (DBO) <p>Units 265 and 405 mm wide take fixing lugs Cat.No 0 019 69 p. 27</p>				
2 SOCKETS				
20	20	0 589 37 ⁽²⁾	371 x 125 x 124 5-module rail	Circuit breaker
20	20	0 589 30 ⁽²⁾	371 x 125 x 124 5-module rail	Circuit breaker
20	20	0 589 31 ⁽²⁾	371 x 125 x 112 5-module rail	Circuit breaker
20	20	0 589 32 ⁽²⁾	371 x 125 x 126 5-module rail	Circuit breaker
16	16	0 589 20	441 x 265 x 128 12-module rail	Circuit breaker and 150 VA safety transformer
40	30	0 589 21 ⁽¹⁾	441 x 265 x 134 12-module rail	Circuit breaker
3 SOCKETS				
20	20	0 589 33 ⁽²⁾	421 x 125 x 107 5-module rail	Circuit breaker
20	20	0 589 34 ⁽³⁾	441 x 265 x 124 12-module rail	Circuit breaker
4 SOCKETS				
40	40	0 589 35 ⁽³⁾	501 x 265 x 122 12-module rail	RCCB + MCB
40	29	0 589 36⁽³⁾	501 x 265 x 122 12-module rail	RCCB + MCB
5 SOCKETS				
32	32	0 589 22 ⁽²⁾	441 x 405 x 128 18-module rail	RCCB + MCB + safety transformer (150 VA)

SINGLE-SOCKET COMBINED UNITS ELV 16 A - LV 16 TO 63 A

IP 44



With safety transformer (150 VA)
with only a thermal cut-out on the primary



With switch

Sockets			External dimensions H x W (mm)	
			220 x 125	220 x 125
20 to 25 V~	16 A	2P	0 589 27	-
200 to 250 V~ 50/60 Hz	16 A	2P+E	-	0 566 01
	32 A	2P+E	-	0 566 09
380 to 415 V~ 50/60 Hz	16 A	3P+E	-	0 566 05
		3P+N+E	-	0 566 06
	32 A	3P+E	-	0 566 13
		3P+N+E	-	0 566 14
	63 A	3P+E	-	-
		3P+N+E	-	-

1: Equipped with a blanking plate for additional socket or emergency stop button
2: Can be pole-mounted using kit Cat.Nos 0 364 46/47/48/49 see data sheet in e-catalogue for compatibility
3: See 1 and 2

Accessories

for P17 Tempra Pro portable combined units

	Number of sockets					
	 20/25 V~	 250 V~	 200/250 V~	 380 to 415 V~		
	16 A 2P	NF C (domestic pin configuration)	16 A 2P+E	16 A 3P+E	32 A 3P+E	32 A 3P+N+E
	-	1	1	-	-	-
	-	-	2	-	-	-
	-	2	-	-	-	-
	-	-	1	1	-	-
	1	-	1	-	-	-
	-	-	1	-	-	1
	-	2	1	-	-	-
	-	2	1	-	-	-
	-	2	1	-	1	-
	-	2	1	-	-	1
	2	1	1	1	-	-
	IP 55			IP 66		
	 With switch			 With switch		
	220 × 125			501 × 125		
	-	-	-	-	-	-
	0 566 21	-	-	-	-	-
	0 566 29	-	-	-	-	-
	-	-	-	-	-	-
	0 566 26	-	-	-	-	-
	0 566 33	-	-	-	-	-
	0 566 34	-	-	-	-	-
	-	-	-	-	0 589 18	-
	-	-	-	-	0 572 99	-



0 577 37



Example of lock Cat.No 0 577 35 installed on P17 unit



0 577 40



0 539 48

Option of creating portable combined units

Pack	Cat.No	Accessories
		Handles
1	0 577 37	Supplied with lugs for winding the cable
1	0 577 38	For units with 5-module rail
		Supplied with fixing lugs so they can be fixed to the chassis Cat.No 0 577 43 (p. 29)
1	0 577 39	For units with more than 18-module rail
		Supplied with fixing lugs so they can be fixed to the chassis Cat.No 0 577 43 (p. 29)
		Lock
1	0 577 35	Secure access limited to protection devices
		Not suitable for 371 x 125 mm, 421 x 125 mm combined units, nor for bases Cat.No 0 599 38 and 0 577 20
		Plate equipped with an Osmoz emergency stop button
1	0 577 40	For cutting off the power supply to the units
		Plate fixed on pre-drilled faceplate
		IP 66
		Supplied ready for assembly
		Supplied with push-pull 2NC contact block
		Plate equipped with an Osmoz emergency cut-off button
1	0 577 45	For cutting off the power supply to the units
		Plate fixed on pre-drilled faceplate
		IP 66
		Supplied ready for assembly
		Supplied with push-pull 1NO contact block
		IP 55 adaptor
8	0 539 48	Takes 2-module Mosaic mechanisms (except special surface mounting type)
		No support frame needed
		Fixing lugs
1	0 019 69	Set of 4 wall mounting lugs for 265 and 405 mm combined units
		Vertical or horizontal mounting

P17 Tempra Pro units for customer assembly

Characteristics

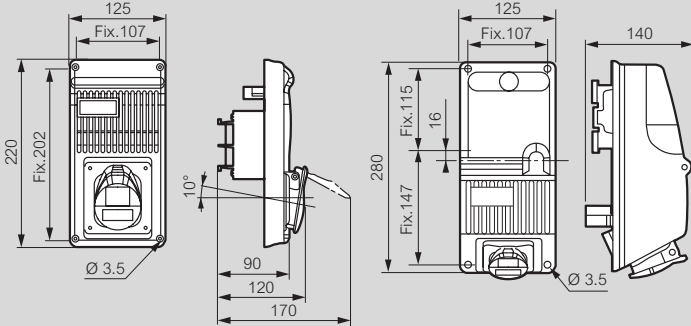
IK 08 as per standard EN 62262 and IEC 62262

Dimensions

ELV sockets to be installed on a box or base

Cat.No 0 589 26

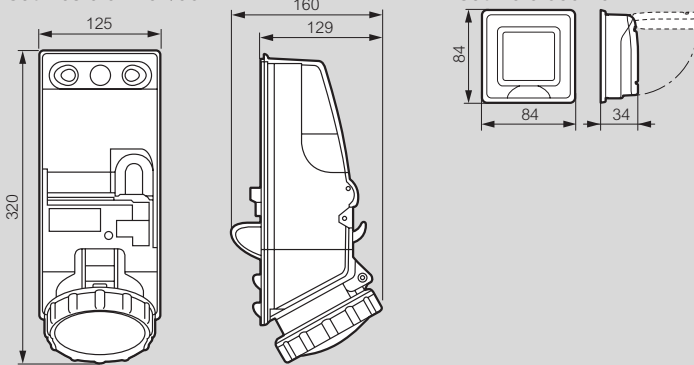
Cat.No 0 589 25



Interlocked sockets to be installed on a base IP 55 adaptor

Cat.Nos 0 572 94/95

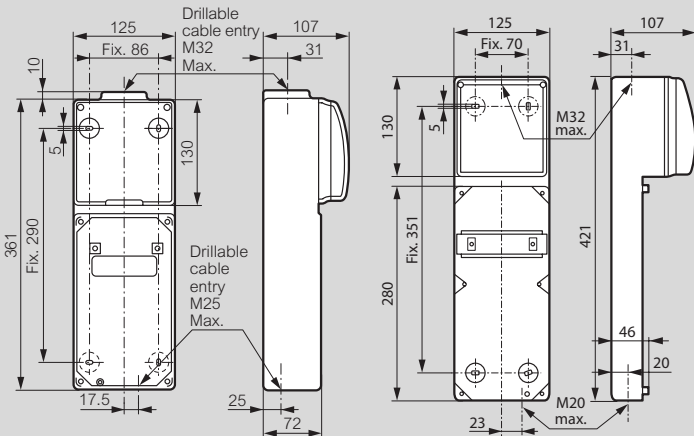
Cat.No 0 539 48



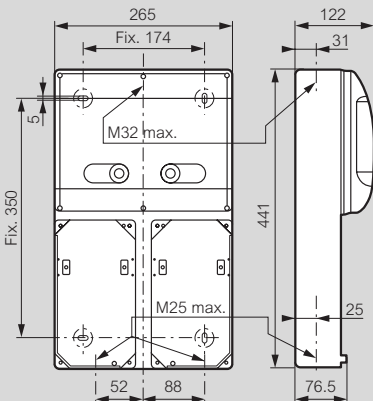
Bases

Cat.No 0 589 38

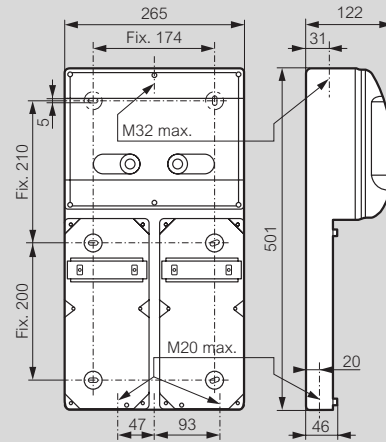
Cat.No 0 577 20



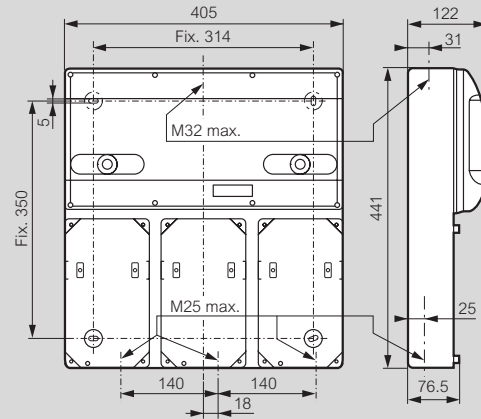
Cat.No 0 577 05



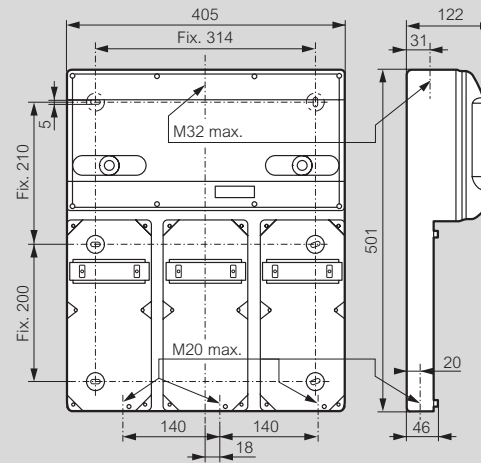
Cat.No 0 577 03



Cat.No 0 577 06

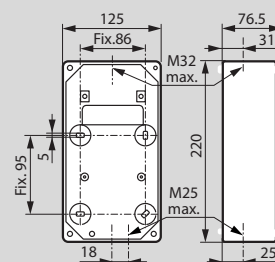


Cat.No 0 577 04

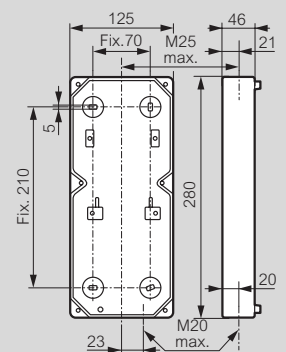


Boxes

Cat.No 0 577 10



Cat.No 0 577 11



P17 Tempra Pro worksites combined units

portable floor distributors



0 589 53 with 0 577 43 frame



0 589 53 fixed to wall with 0 577 43 frame



0 589 57

Technical characteristics p. 31

Conform to standard IEC 61439-4 and satisfy the requirements of installation standard NF C 15-100 or IEC 60364
Provide temporary power supplies on building sites or for events

Pack	Cat.Nos	Floor distributors	Pack	Cat.Nos	Floor distributors (continued)
1	0 589 53	<p>Multi-purpose portable combined units with integrated handle to provide a temporary power supply for all types of equipment on building sites, at trade shows, etc. IP 44 - housing IK 09 Material: ABS body - polycarbonate window Operating temperature: -25°C to +40°C Easy to hook on a wall without having to open the unit (fixed via the outside of the unit) or on frame Cat.No 0 577 43 Can be pole-mounted using kit Cat.Nos 0 364 46/47/48/49, see data sheet in e-catalogue for compatibility Replaceable window (spare part on request) Pre-marked for optional addition of: - 2 cable entries (M32 max.) on the bottom and 1 on each side of the unit - 1 additional P 17 domestic pin socket (p. 15) on each side of the unit Notches on each side for winding up the cable (not supplied), can be wound round the frame Option of adding a padlock Cat.No 4 063 13 for locking the window Dimensions (H x W): 479.6 x 431 mm</p> <p>With 5 sockets 40 A - 400 V\sim Max. power 27 kVA With emergency cut-off on shunt trip coil and voltage present indicator Connector block for tap-off Supplied with M32 cable gland</p> <p>Composition: - 4 domestic pin sockets - 1 x 32 A socket - 3P+E - 380/415 V\sim - 1 RCCB at supply end 3P+N - 63 A - 30 mA - 2 circuit breakers 2P - 16 A - Isc 10 kA - 1 circuit breaker 3P - 32 A - Isc 10 kA</p>	1	0 589 51	<p>With 7 sockets With emergency cut-off on shunt trip coil and voltage present indicator Connector block for tap-off Supplied with M32 cable gland Composition: - 6 domestic pin sockets - 1 socket - 3P+N+E - 16 A - 380/415 V\sim - 1 RCCB at supply end 3P+N - 40 A - 30 mA - 3 circuit breakers 2P - 16 A - Isc 10 kA - 1 circuit breaker 3P+N - 16 A - Isc 10 kA 32 A - 400 V\sim Max. power 22 kVA</p> <p>Composition: - 6 domestic pin sockets - 1 socket - 3P+N+E - 32 A - 380/415 V\sim - 1 RCCB at supply end 3P+N - 63 A - 30 mA - 3 circuit breakers 2P - 16 A - Isc 10 kA - 1 circuit breaker 3P+N - 32 A - Isc 10 kA 40 A - 400 V\sim Max. power 27 kVA</p>
1	0 589 54	<p>Composition: - 4 domestic pin sockets - 1 x 32 A socket - 3P+N+E - 380/415 V\sim - 1 RCCB at supply end 3P+N - 63 A - 30 mA - 2 circuit breakers 2P - 16 A - Isc 10 kA - 1 circuit breaker 3P+N - 32 A - Isc 10 kA</p>	1	0 589 52	<p>Modular 40 A - 400 V\sim max. Unit with a faceplate taking up to 6 sockets: - P 17 domestic pin sockets Cat.Nos 0 576 71/72/76 (p. 15) - LV 16/32 A IEC P 17 sockets with standard fixing centres (p. 14) - plate with Osmoz emergency stop button Cat.No 0 577 40 or emergency cut-out switch Cat.No 0 577 45 (p. 27) - 1 adaptor Cat.No 0 539 48 capable of taking Mosaic modules (except special surface mounting type) Equipped with: - IP 2X terminal block for connecting the protective conductor - 9 modular blanking plates Supplied with 3 blanking plates IP 66 if equipped with IP 66 sockets/or blanking plates</p>
1	0 589 50	<p>With 6 sockets 16 A - 400 V\sim Max. power 11 kVA With emergency cut-off on shunt trip coil and voltage present indicator Connector block for tap-off Supplied with M32 cable gland</p> <p>Composition: - 6 domestic pin sockets - 1 blanking plate for adding a socket - 1 RCCB at supply end 3P+N - 40 A - 30 mA - 3 circuit breakers 2P - 16 A - Isc 10 kA</p>	1	0 577 43	<p>Folding frame Takes floor distributors Floor distributors can be fixed on the frame without opening the units The units equipped with their frame can be wall or floor-mounted For easy transport and storage</p>

P17 Tempra Pro worksites combined units

portable individual units



0 589 42



0 589 43

Technical characteristics p. 31

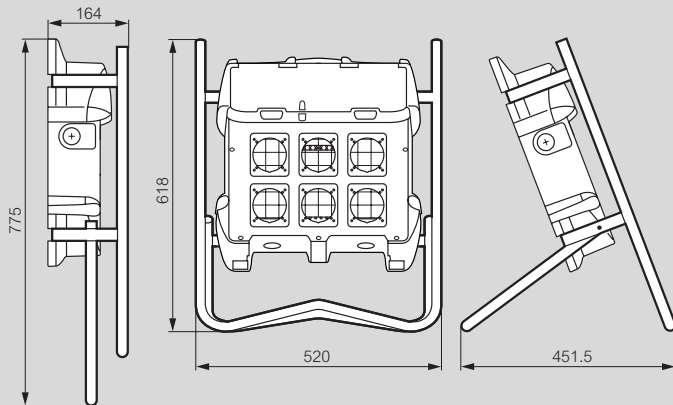
Conform to standard IEC 61439-4 and satisfy the requirements of installation standard NF C 15-100 or IEC 60364
Provide temporary power supplies on building sites or for events

Pack	Cat.Nos	Individual units	Pack	Cat.Nos	Individual units (continued)
		<p>Portable combined units with integrated handle (can be fitted with security chain), to provide a power supply for portable electric tools IP 44 - housing IK 10 Material: ABS body - polycarbonate window Operating temperature: -25°C to +40°C Easy to hook on a wall without having to open the unit (fixed via the outside of the unit) Can be pole-mounted using kit Cat.Nos 0 364 46/47/48/49, see data sheet in e-catalogue for compatibility Replaceable window (spare part on request) Additional M20 cable entry pre-marked on the bottom Notches on each side for winding up the cord The cord can be locked for transport 16 A - 250 V~. Max. power 3.68 kW Dim. (H x W): 506.5 x 181.5 mm</p> <p>With 5 sockets Composition: - 5 x 16 A domestic pin sockets - 1 emergency cut-off button on shunt trip coil - Protection by 30 mA double-pole RCBO</p>			
1	0 589 42	<p>With 3 m cord Fitted with a domestic pin plug With M20 IP 68 cable gland Weight: 2.9 kg</p>	1	0 589 43	<p>Modular Unit with a faceplate taking up to 3 x 16 A max. sockets : - P 17 domestic pin sockets Cat.Nos 0 576 71/72/76 (p. 15) - LV 16 A IEC P 17 sockets, with standard fixing centres (p. 14) to be fixed horizontally - plate with Osmoz emergency stop button Cat.No 0 577 40 or emergency cut-off button Cat.No 0 577 45 (p. 27) Supplied with 2 blanking plates Equipped with: - IP 2X terminal block for connecting the protective conductor - A rail taking up to 6 x 17.5 mm DIN modules IP 66 if equipped with IP 66 sockets/or blanking plates</p>
1	0 589 40	<p>With 6 sockets Composition: - 6 x 16 A domestic pin sockets - Protection by 30 mA double-pole RCBO</p> <p>With 3 m cord Fitted with a domestic pin plug With M20 IP 68 cable gland Weight: 2.9 kg</p>			
1	0 589 41	<p>Cordless To be equipped with a cable gland, M20 max. Weight: 2.7 kg</p>			

P17 Tempra Pro worksites combined units

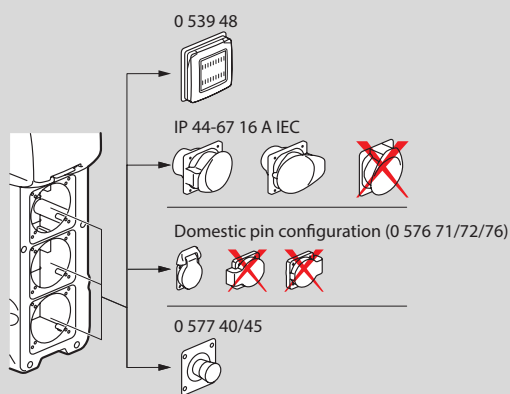
Mounting on folding frame

Cat.Nos 0 577 43 and 0 589 57

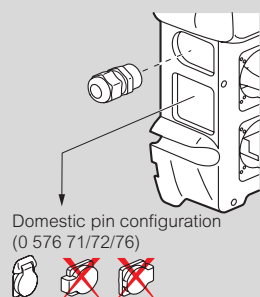
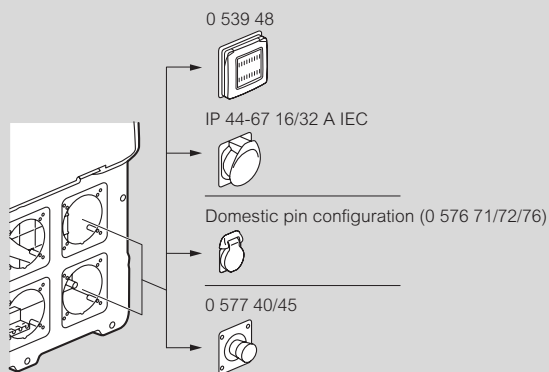


Pre-marking for cable gland and sockets

Cat.Nos 0 589 40/41/42/43

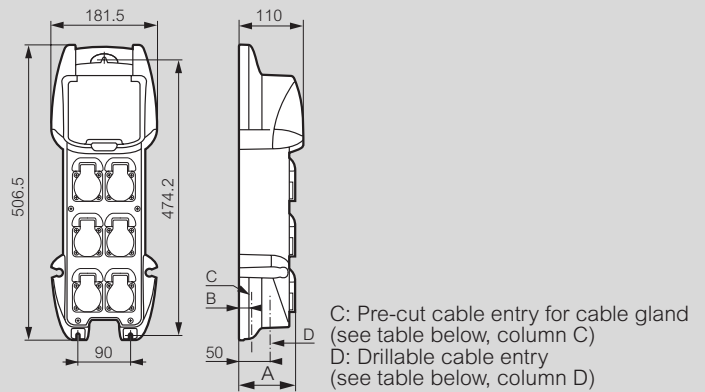


Cat.Nos 0 589 50/51/52/53/54/57



Dimensions of individual units

Cat.Nos 0 589 43/44/45

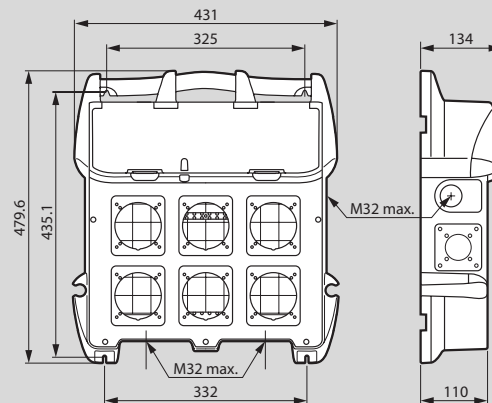


C: Pre-cut cable entry for cable gland (see table below, column C)
D: Drillable cable entry (see table below, column D)

Cat.No	A	B	C	D
0 589 43	-	20	M20	M20 max.
0 589 44	96	20	M20	M20 max.
0 589 45	125	22.5	M25	-

Dimensions of floor distributors

Cat.No 589 57



Catalogue number index

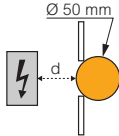

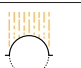

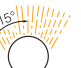
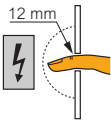

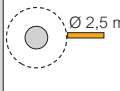

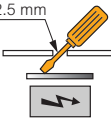

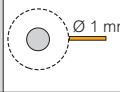
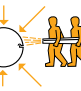
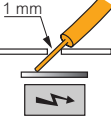
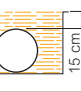
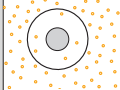
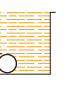
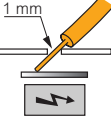

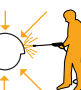
Cat. No.	Page	Pack	Cat. No.	Page	Pack	Cat. No.	Page	Pack	Cat.No	Page	Pack	Cat.No	Page	Pack	Cat.No	Page	Pack
0 010 00			0 573 22	13	1	0 589 20	26	1	5 551 81	12	5	5 553 55	13	5	5 555 84	13	2
0 019 69	27	1	54	12	5	21	-	1	84	-	10	56	-	5	85	-	2
0 520 00			58	-	5	22	-	1	85	-	5	58	-	5	86	-	2
0 521 05	15	10	59	12	5	25	25	1	86	-	5	59	-	5	88	-	2
0 530 00			0 574 40	-	5	26	-	1	88	-	10	62	-	5	89	-	2
0 539 48	15	8	41	-	5	27	26	1	89	-	10	81	-	5	92	-	1
0 550 00			0 575 84	-	5	30	-	1	92	-	10	84	-	5	5 556 08	13	1
0 552 06	15	5	85	-	5	31	-	1	5 552 11	12	5	85	-	5	09	-	1
21	-	5	86	-	5	32	-	1	14	-	10	86	-	5	18	-	1
31	-	5	88	-	5	33	-	1	15	-	5	88	-	5	19	-	1
41	-	5	89	-	5	34	-	1	16	-	5	89	-	5	28	-	1
45	-	5	0 576 67	15	20	35	-	1	17	-	5	5 554 14	13	5	29	-	1
56	-	5	69	-	20	36	-	1	18	-	10	15	-	5	58	-	1
71	-	5	71	-	20	37	-	1	19	-	10	16	-	5	59	-	1
81	-	5	72	-	20	38	24	1	20	-	5	18	-	5	88	-	1
91	-	5	73	-	20	40	30	1	22	-	5	19	-	5	89	-	1
95	-	5	74	-	20	41	-	1	23	-	5	21	-	5	6 570 00		
0 560 00			75	-	20	42	-	1	31	-	5	22	-	5	6 571 06	16	1
0 564 53	12	5	76	-	20	43	30	1	34	-	10	31	-	5			
57	-	5	0 577 03	24	1	50	29	1	35	-	5	34	-	5			
58	-	5	04	-	1	51	-	1	36	-	5	35	-	5			
73	-	5	05	-	1	52	-	1	37	-	5	36	-	5			
77	-	5	06	-	1	53	-	1	38	-	10	38	-	5			
78	-	5	10	-	1	54	-	1	39	-	10	39	-	5			
0 565 03	13	5	11	-	3	55	-	1	40	-	10	41	-	5			
23	-	5	12	-	5	5 550 00			42	-	10	42	-	5			
28	-	5	13	-	5	5 551 01	12	10	43	-	10	51	-	5			
0 566 01	26	1	14	-	4	02	-	5	51	-	5	54	-	5			
05	-	1	15	-	5	04	-	10	54	-	5	55	-	5			
06	-	1	16	-	4	05	-	5	55	-	5	56	-	5			
09	-	1	17	-	2	06	-	5	56	-	5	58	-	5			
13	-	1	18	-	4	07	-	5	57	-	5	59	-	5			
14	-	1	19	-	2	08	-	10	58	-	10	62	-	5			
21	27	1	20	-	1	09	-	10	59	-	10	84	-	5			
26	-	1	21	15	3	10	-	5	60	-	10	85	-	5			
29	-	1	22	-	3	12	-	5	62	-	10	86	-	5			
33	-	1	23	24	1	21	-	10	63	-	10	88	-	5			
34	-	1	35	27	1	22	-	5	81	-	5	89	-	5			
0 568 03	13	5	37	-	1	24	-	10	84	-	10	91	-	5			
07	13	5	38	-	1	25	-	5	85	-	5	92	-	5			
08	-	5	39	-	1	26	-	5	86	-	5	5 555 04	13	2			
23	-	5	40	-	1	27	-	5	88	-	10	05	-	2			
27	-	5	43	29	1	28	-	10	89	-	10	06	-	2			
28	-	5	45	27	1	29	-	10	90	-	10	08	-	2			
0 570 00			0 580 00			30	-	5	92	-	10	09	-	2			
0 572 94	25	1	0 580 54	12	5	32	-	5	5 553 01	13	10	21	-	5			
95	-	1	58	-	5	33	-	5	04	-	5	24	-	5			
99	27	1	59	-	5	51	-	5	05	-	5	25	-	5			
0 573 00	12	1	0 581 40	14	5	52	-	5	06	-	5	26	-	5			
02	-	1	41	-	5	54	-	10	08	-	5	28	-	5			
20	13	1	0 582 84	12	5	55	-	5	09	-	5	29	-	5			
			86	-	5	56	-	5	21	-	5	32	-	1			
			88	-	5	57	-	5	24	-	5	54	-	2			
			89	-	5	58	-	10	25	-	5	55	-	2			
			0 589 18	27	5	59	-	10	26	-	5	56	-	2			
						60	-	5	28	-	5	58	-	2			
						62	-	5	29	-	5	59	-	2			
									51	-	5	62	-	1			
									54	-	5						

In accordance with its policy of continuous improvement, the Company reserves the right to change specifications and designs without notice. All illustrations, descriptions, dimensions and weights in this catalogue are for guidance and cannot be held binding on the Company.

Index of protection

Degrees of protection provided by enclosures for electrical equipment (IP code)

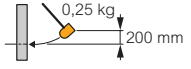
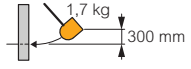
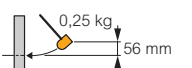
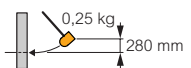
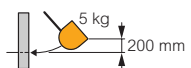
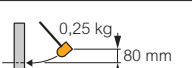





According to standards: IEC 60529 and NF EN 60529

1st digit: protection against solid foreign objects			2nd digit: protection against ingress of water			Additional letter: protection against access to hazardous parts		
IP	Tests	Protection	IP	Tests	Protection	IP	Tests	Protection
0		No protection	0		No protection	A		The back of the hand remains remote from dangerous parts
1		Protected against solid bodies larger than 50 mm	1		Protected against vertically-falling drops of water (condensation)			
2		Protected against solid bodies larger than 12.5 mm	2		Protected against drops of water falling at up to 15° from the vertical	B		The dangerous parts can not be touched when introducing a finger
			3		Protected against drops of rain water at up to 60° from the vertical			
3		Protected against solid bodies larger than 2,5 mm	4		Protected against projections of water from all directions	C		The dangerous parts can not be touched when introducing a tool (eg a screwdriver)
			5		Protected against jets of water from all directions			
4		Protected against solid bodies larger than 1 mm	6		Protected against jets of water of similar force to heavy seas	D		The dangerous parts can not be touched when introducing a wire
			7		Protected against the effects of immersion			
5		Protected against dust (no harmful deposit)	8		Protected against prolonged effects of immersion under pressure	D		The dangerous parts can not be touched when introducing a wire
6		Completely protected against dust	9		Protected against high pressure and temperature water jets			

Legrand appliances for domestic applications, once installed, have a degree of protection IP equal to or greater than IP 2XC.
1 : In accordance to ISO 20653

Degrees of protection provided by enclosure for electrical equipment against external mechanical impacts (IK code)

According to standards: IEC 62262 et NF EN 62262

IK	Tests	Energy (in Joules)	IK	Tests	Energy (in Joules)	IK	Tests	Energy (in Joules)
00	non	-	04		0,5	08		5
01		0,14	05		0,7	09		10
02		0,2	06		1	10		20
03		0,35	07		2	-		50

• This table can be used to ascertain the resistance of a product to an impact given in Joules from the IK code (graduated from 00 to 10)



FOLLOW US ALSO ON

@ www.legrand.com

 www.youtube.com/user/legrand

 www.legrand.com

 twitter.com/@legrand

 pinterest.com/legrandgroup

 instagram.com/legrandnews



Head office

and International Department
87045 Limoges Cedex - France

☎ : + 33 (0) 5 55 06 87 87

Fax: + 33 (0) 5 55 06 74 55